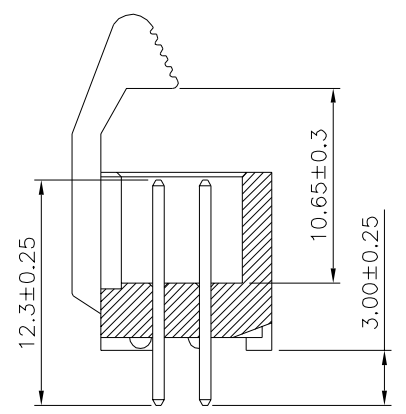
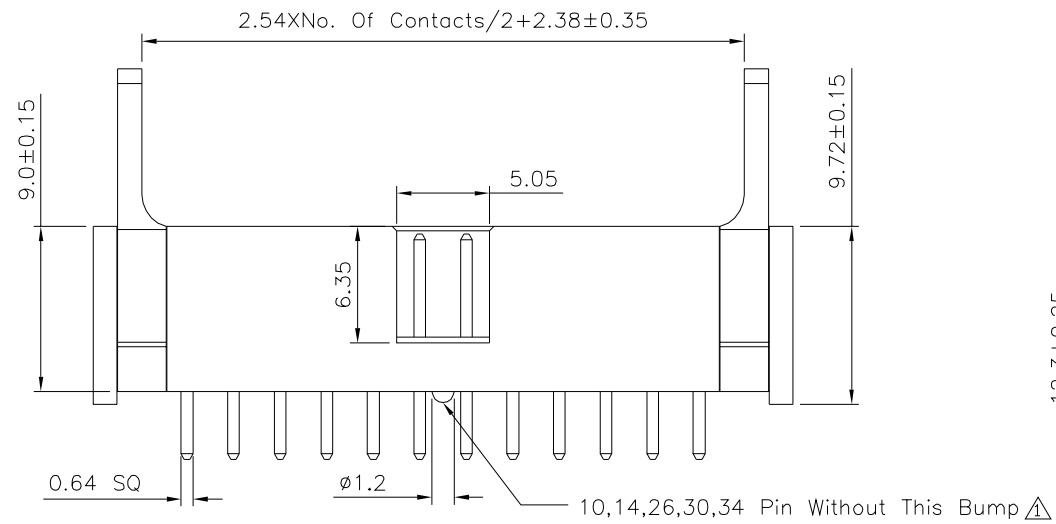
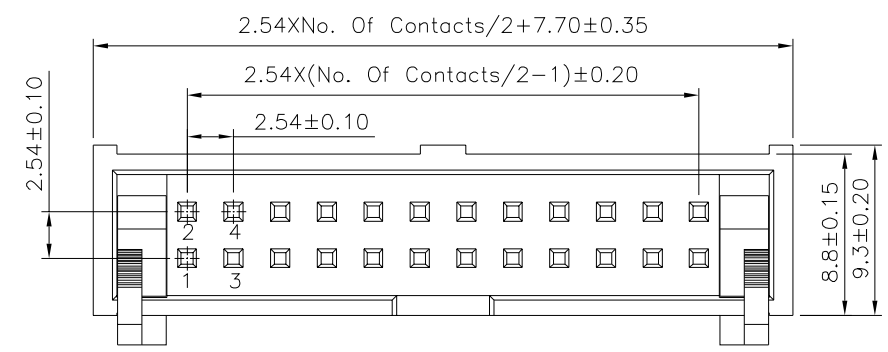


SPECIFICATION
 Current Rating:3.0 Amp
 Withstand Voltage:1000V AC/DC
 Contact Resistance:20 Milliohms Max.
 Insulation Resistance:1000 Megaohms Min.
 Operation Temperature:-40°C~+105°C
 Insulator:PBT(UL94V-0)
 Contact:Brass,Gold Flash Over Nickel
 Metal Latch:Zinc Alloy,Nickel Plated
 ⚠ No. Of Contact:08,10,14,16,20,26,30,34,40 Contacts Are Tooled Already
 RoHS Compliant



4UCON 元化興業股份有限公司
 4UCON TECHNOLOGY INC.

DRAWING No.		APPROVED BY		UNLESS OTHERWISE SPECIFIED TOLERANCES ARE	
19052		MEI		X: ±0.25 X*: ±2"	
		CHECKED BY		.X ±0.20 .X* ±1.5"	
		DRAWING BY		.XX ±0.15 .XX* ±1"	
CYP		.XXX ±0.10 .XXX* ±0.5"		UNIT	
SCALE	NONE	REV.	A1	mm	

NO.	REV.	REVISIONS	CHK	DATE
⚠	A1	Modify Data	HZF	10/11/2018
⚠	A0	NEW RELEASE	HZF	03/01/2016