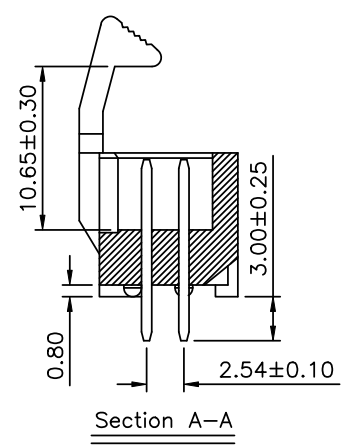
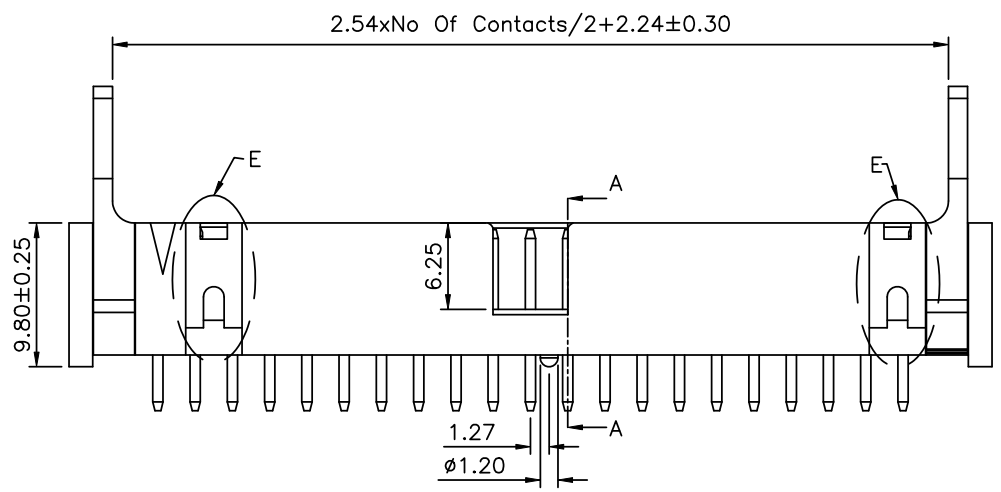
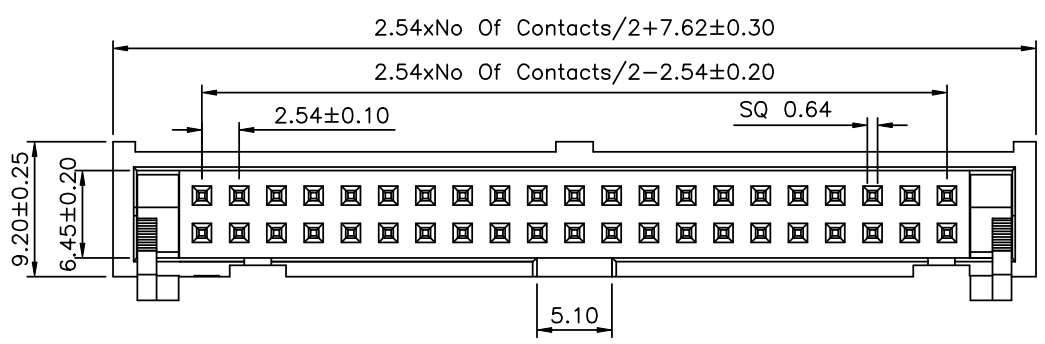


SPECIFICATION
 Current Rating: 3.0Amp
 Voltage Rating: 350V
 Contact Resistance: 20 Milliohms Max
 Insulation Resistance: 1000 Megohm Min
 Withstand Voltage: 1000V AC/Minute
 Operation Temperature: -40°C ~ +105°C
 Contact Material: Brass
 Contact Plating: Au Over Ni
 Latch Material: Zinc Alloy
 Latch Plating: Ni
 Insulator Material: Polyester (UL94V-0)
 Standard: PBT+30%GF
 Above 26 Poles With "E" Profile



4UCON 元化興業股份有限公司
 4UCON TECHNOLOGY INC.

DRAWING No.		APPROVED BY		UNLESS OTHERWISE SPECIFIED TOLERANCES ARE .X ±0.40 .XX ±0.25 .XXX ±0.15 ANG: ±3°					
19056		MEI							
		CHECKED BY							
		DRAWING BY		JLT					
SCALE	NONE	REV.	A0	UNIT	mm	△ A0	NEW RELEASE	HZF	11/06/2007
						NO. REV.	REVISIONS	CHK	DATE