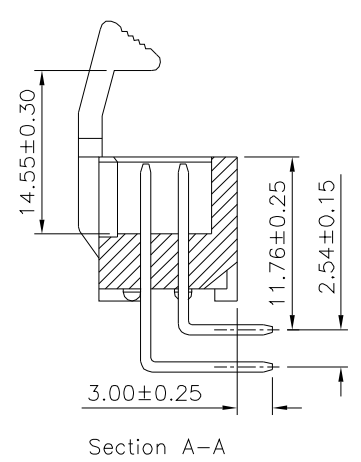
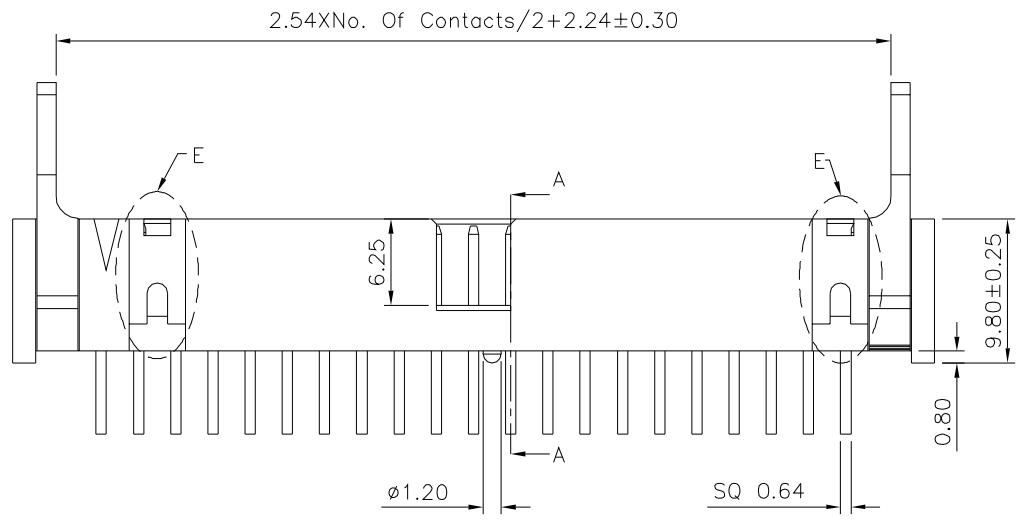
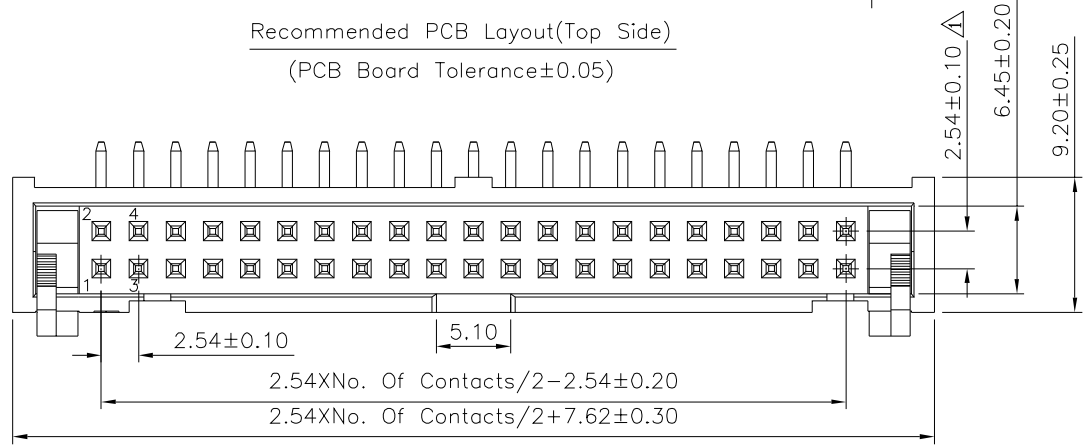


Recommended PCB Layout(Top Side)
(PCB Board Tolerance±0.05)



△ SPECIFICATION
 Current Rating:3.0 Amp
 Contact Resistance:20 Milliohms Max.
 Insulation Resistance:1000 Megaohms Min.
 Withstand Voltage:1000V AC/DC
 Operation Temperature:-40°C~+105°C
 Contact:Brass
 Gold Flash Over All,Over Nickel
 Latch:Zinc Alloy,Nickel Plated
 Insulator:PBT+30%G.F.(UL94V-0),Black
 △ Above 20 Poles With "E" Profile
 RoHS Compliant

4UCON 元化興業股份有限公司
 4UCON TECHNOLOGY INC.

DRAWING No.

19059

APPROVED BY
 EMILY
 CHECKED BY
 HZF
 DRAWING BY
 YBL

UNLESS OTHERWISE SPECIFIED TOLERANCES ARE
 .X ±0.40
 .XX ±0.25
 .XXX ±0.15
 ANG. ±3°

SCALE NONE

REV. A4

	A4	Modify Data	HZF	01/06/2014
	A3	Modify Data	HZF	05/14/2012
	A2	Modify Data	HZF	07/28/2009
	A1	Modify Data	HZF	07/03/2009
	A0	NEW RELEASE	HZF	11/06/2007
NO. REV.	REVISIONS		CHK	DATE