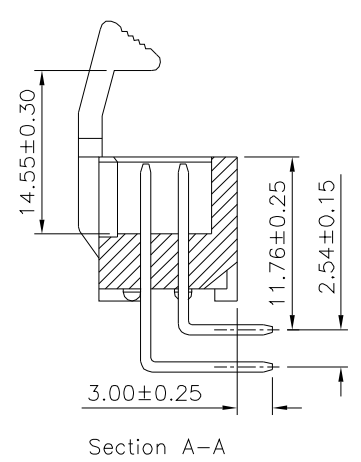
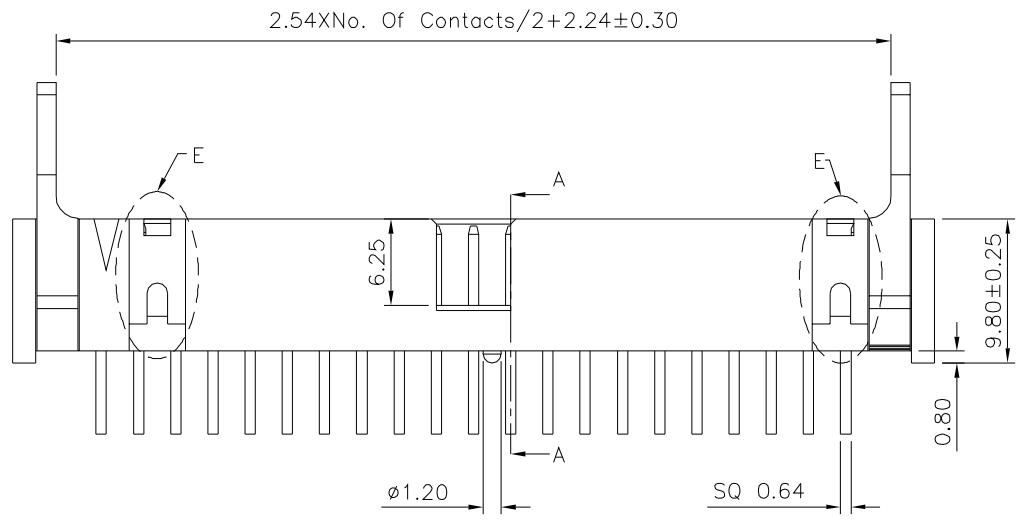
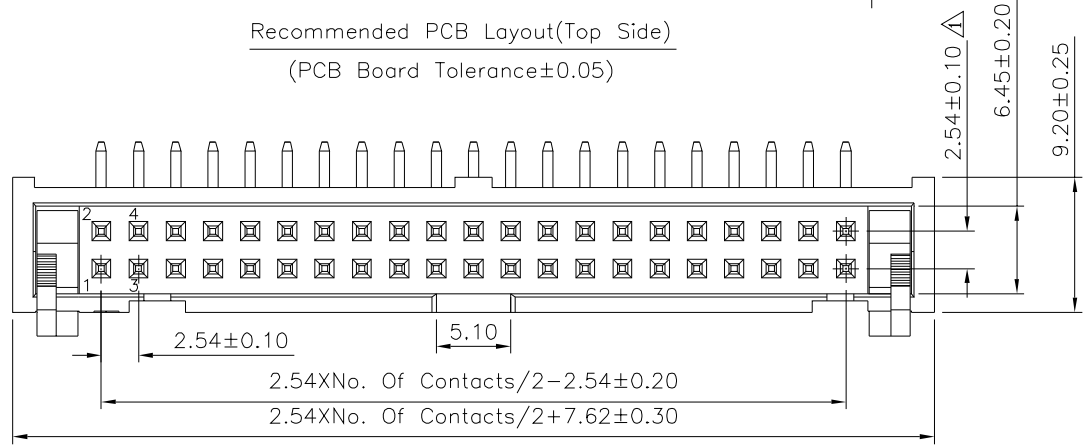


Recommended PCB Layout(Top Side)
(PCB Board Tolerance±0.05)



△ SPECIFICATION
 Current Rating:3.0 Amp
 Contact Resistance:20 Milliohms Max.
 Insulation Resistance:1000 Megaohms Min.
 Withstand Voltage:1000V AC/DC
 Operation Temperature:-40°C~+105°C
 Contact:Brass
 Gold Flash Over All,Over Nickel
 Latch:Zinc Alloy,Nickel Plated
 Insulator:PBT+30%G.F.(UL94V-0),Black
 △ Above 20 Poles With "E" Profile
 RoHS Compliant

4UCON 元化興業股份有限公司
 4UCON TECHNOLOGY INC.

DRAWING No. **19061**

APPROVED BY EMILY
 CHECKED BY HZF
 DRAWING BY YBL

UNLESS OTHERWISE SPECIFIED TOLERANCES ARE
 .X ±0.40
 .XX ±0.25
 .XXX ±0.15
 ANG. ±3°
 UNIT mm

NO.	REV.	REVISIONS	CHK	DATE
△4	A4	Modify Data	HZF	01/06/2014
△3	A3	Modify Data	HZF	05/14/2012
△2	A2	Modify Data	HZF	07/28/2009
△1	A1	Modify Data	HZF	07/03/2009
△0	A0	NEW RELEASE	HZF	11/06/2007

SCALE NONE

REV. A4

NO. REV. REVISIONS CHK DATE