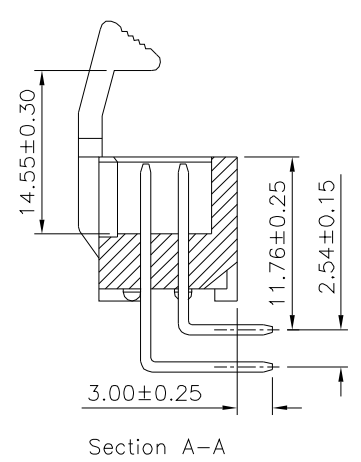
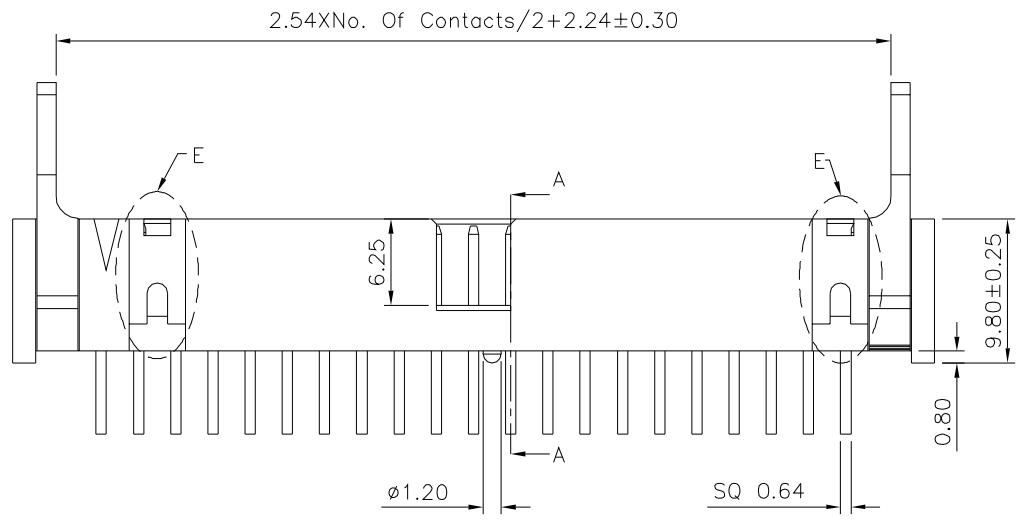
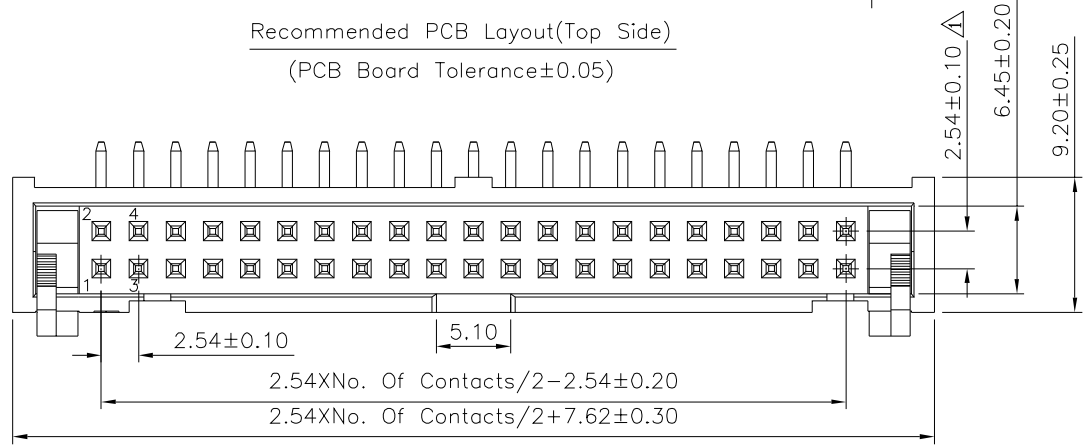


Recommended PCB Layout(Top Side)  
(PCB Board Tolerance±0.05)



**△ SPECIFICATION**  
 Current Rating:3.0 Amp  
 Contact Resistance:20 Milliohms Max.  
 Insulation Resistance:1000 Megaohms Min.  
 Withstand Voltage:1000V AC/DC  
 Operation Temperature:-40°C~+105°C  
 Contact:Brass  
 Gold Flash Over All,Over Nickel  
 Latch:Zinc Alloy,Nickel Plated  
 Insulator:PBT+30%G.F.(UL94V-0),Black  
 △ Above 20 Poles With "E" Profile  
 RoHS Compliant

**4UCON** 元化興業股份有限公司  
 4UCON TECHNOLOGY INC.

DRAWING No. **19062**

APPROVED BY EMILY  
 CHECKED BY HZF  
 DRAWING BY YBL

UNLESS OTHERWISE SPECIFIED TOLERANCES ARE  
 .X ±0.40  
 .XX ±0.25  
 .XXX ±0.15  
 ANG. ±3°

| NO. | REV. | REVISIONS   | CHK | DATE       |
|-----|------|-------------|-----|------------|
| △4  | A4   | Modify Data | HZF | 01/06/2014 |
| △3  | A3   | Modify Data | HZF | 05/14/2012 |
| △2  | A2   | Modify Data | HZF | 07/28/2009 |
| △1  | A1   | Modify Data | HZF | 07/03/2009 |
| △0  | A0   | NEW RELEASE | HZF | 11/06/2007 |

SCALE NONE

REV. A4

UNIT mm



NO. REV. REVISIONS CHK DATE