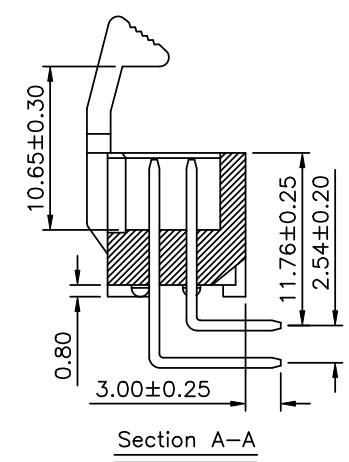
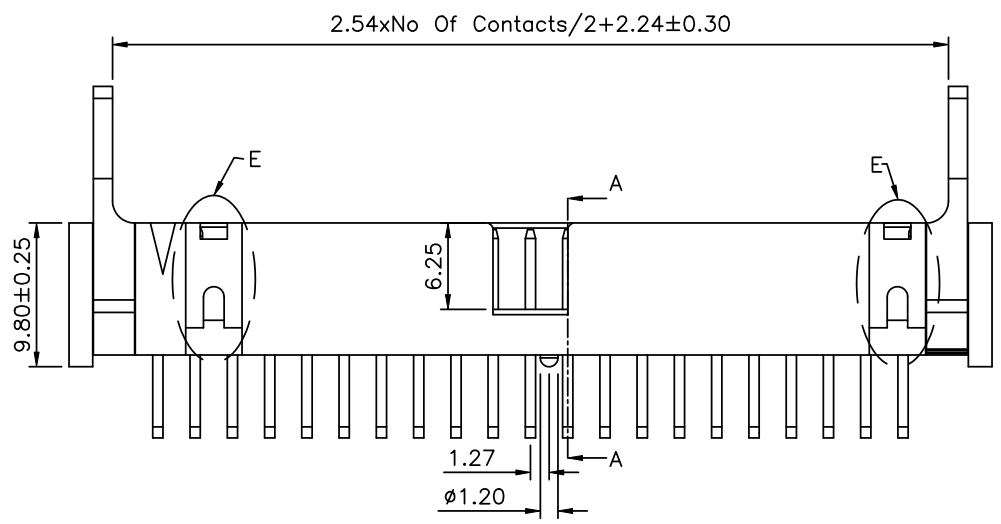
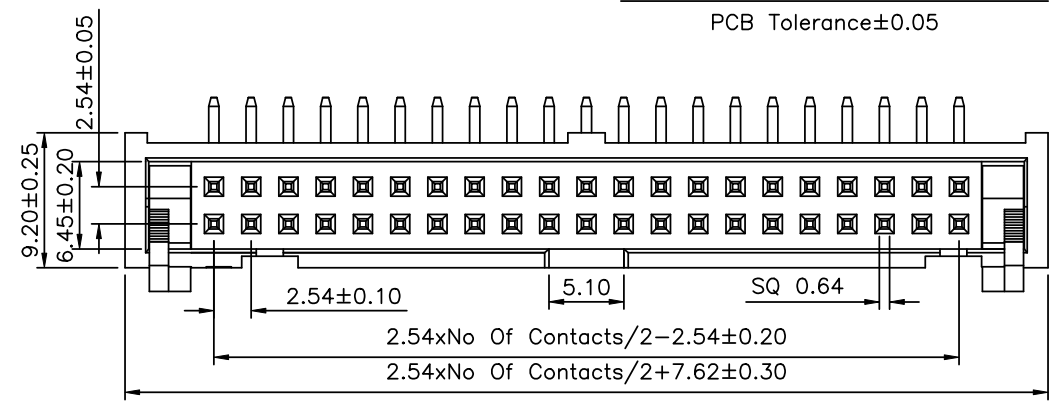


Recommended PCB Layout(Top Side)  
PCB Tolerance±0.05

**SPECIFICATION**  
 Current Rating:3.0Amp  
 Voltage Rating:350V  
 Contact Resistance:20Milliohms Max  
 Insulation Resistance:1000Megohm Min  
 Withstad Voltage:1000V AC/Minute  
 Operation Temperature:-40°C~+105°C  
 Contact Material:Brass  
 Contact Plating:Au Over Ni  
 Latch Material:Zinc Alloy  
 Latch Plating:Ni  
 Insulator Material:Polyester(UL94V-0)  
 Standard:PBT+30%GF  
 Above 26 Poles With "E" Profile



**4UCON** 元化興業股份有限公司  
4UCON TECHNOLOGY INC.

DRAWING No.		APPROVED BY		UNLESS OTHERWISE SPECIFIED TOLERANCES ARE .X ±0.40 .XX ±0.25 .XXX ±0.15 ANG: ±3°
19075		MEI		
		CHECKED BY HZF		
		DRAWING BY JLT		
SCALE	NONE	REV.	A0	UNIT mm

NO.	REV.	REVISIONS	CHK	DATE
△ A0		NEW RELEASE	HZF	11/06/2007