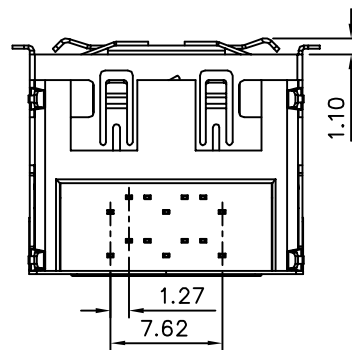
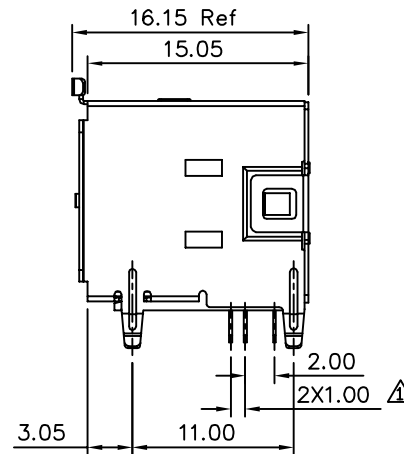
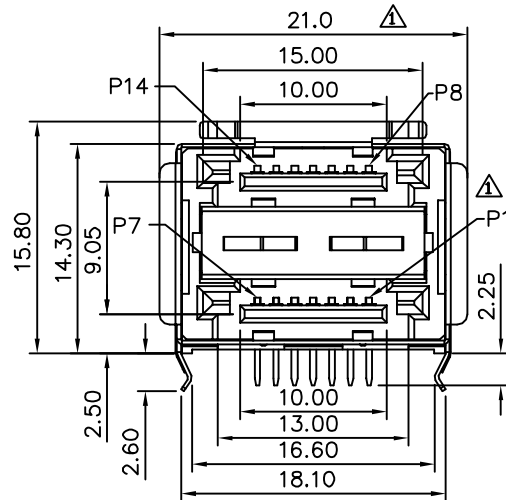


Recommended P.C.B. Layout
(Thickness: 1.60±0.05mm)

SPECIFICATION
 Contact Current Rating: 1.5 Amps Max. Per Pin
 Contact Resistance: 30 Milliohms Max.
 Dielectric Withstanding Voltage: 500V RMS AC
 Insulation Resistance: 1000 Megaohms
 Contactor Mating Force: 4.0 Kgf Max.
 Contactor Unmating Force: 1.0 Kgf Min.
 Operation Temperature: -55°C ~ +105°C
 Housing: PBT, Red
 Terminal: Brass
 Gold Flash On Contact Area,
 Tin Plated On Solder Tails, Over Nickel
 Shell: SPCC, Nickel Plated Over Copper
 RoHS Compliant



4UCON 元化興業股份有限公司
 4UCON TECHNOLOGY INC.

DRAWING No.		APPROVED BY		UNLESS OTHERWISE SPECIFIED TOLERANCES ARE .X ±0.30 .XX ±0.20 .XXX ±0.10 ANG: ±2°
19080		EMILY		
		CHECKED BY		
		HZF		
		DRAWING BY		
		WSS		
SCALE	NONE	REV.	A2	UNIT
				mm

NO.	REV.	REVISIONS	CHK	DATE
△A2		Modify Data	HZF	11/15/2011
△A1		Modify Data	HZF	10/17/2009
△A0		NEW RELEASE	HZF	11/12/2007