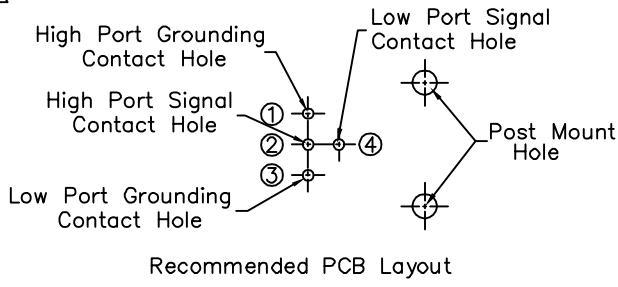
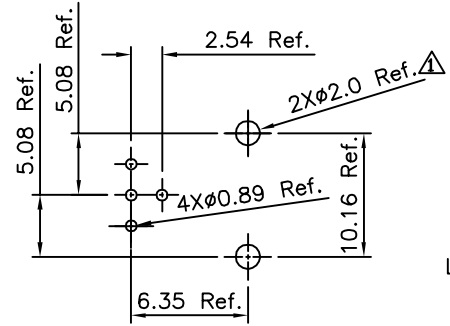
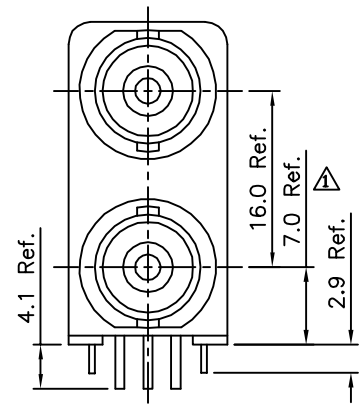
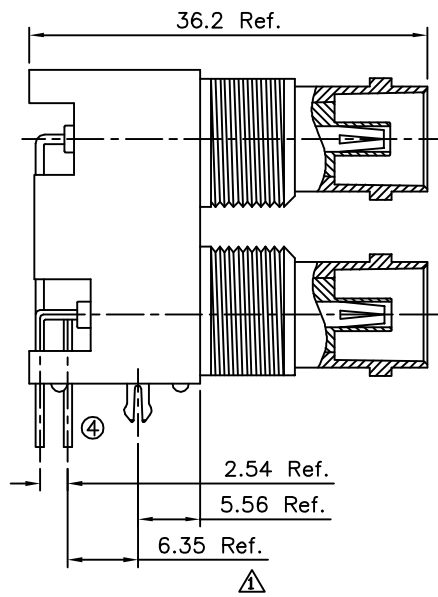
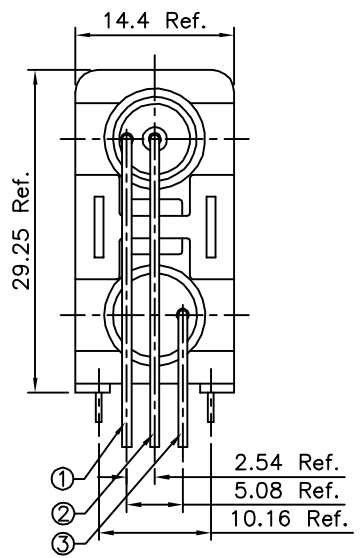
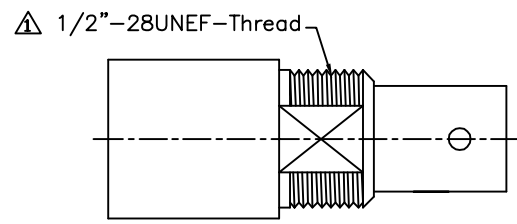


SPECIFICATION

Frequency Range: 0~1 GHz
 Operating Voltage: 500V RMS
 Dielectric Withstanding Voltage: 1500V RMS
 Contact Resistance: 3.0 Milliohms Max. (Gold)
 Insulation Resistance: 5000 Megaohms Min.
 Temperature Range: -65°C~+165°C
 Nominal Impedance: 75 Ohms
 Mating/Unmating: 500 Cycles
 Thermal Shock-MIL-STD-202, Method 107, Gond.B.
 Physical Shock-MIL-STD-202, Method 204, Gond.B.
 RoHS Compliant



| Item | Description | Material & Finish |
|------|--------------------|---|
| 1 | Housing | PBT+30%G.F.,White |
| 2 | Conn. Body | Zinc Alloy,Nickel Plated Over All |
| 3 | Center Contact | Phosphor Bronze,Gold Plated On Contact Area, Tin Plated On Solder Tails,Over Nickel |
| 4 | Insulator | Polypropylene UL 94HB |
| 5 | Grounding Terminal | Copper Plated Steel,Tin Plated |
| 6 | Mounting Hook | Brass,Tin Plated Over All |

4UCON 元化興業股份有限公司
 4UCON TECHNOLOGY INC.

| | | | | |
|-------------|------|-------------|----|--|
| DRAWING No. | | APPROVED BY | | UNLESS OTHERWISE SPECIFIED TOLERANCES ARE .X ±0.38 .XX ±0.25 ANG. |
| 19186 | | MEI | | |
| | | CHECKED BY | | |
| | | HZF | | |
| | | DRAWING BY | | |
| | | CYP | | |
| SCALE | NONE | REV. | A2 | UNIT mm |

| NO. | REV. | REVISIONS | CHK | DATE |
|-----|------|-------------|-------|------------|
| △A2 | | Modify Data | HZF | 03/11/2016 |
| △A1 | | Modify Data | HZF | 02/24/2012 |
| △A0 | | NEW RELEASE | BECKY | 11/26/2004 |