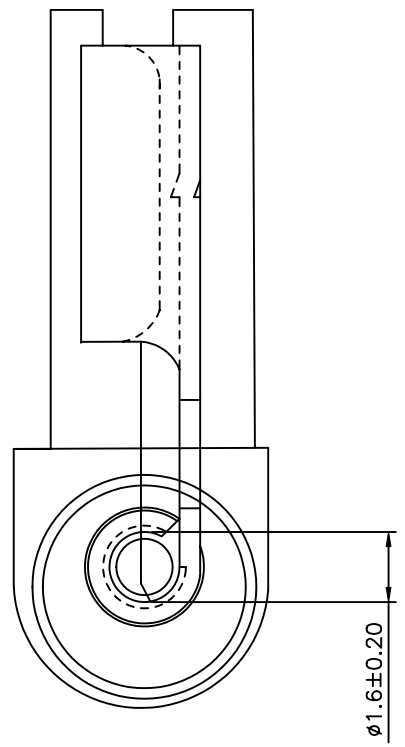
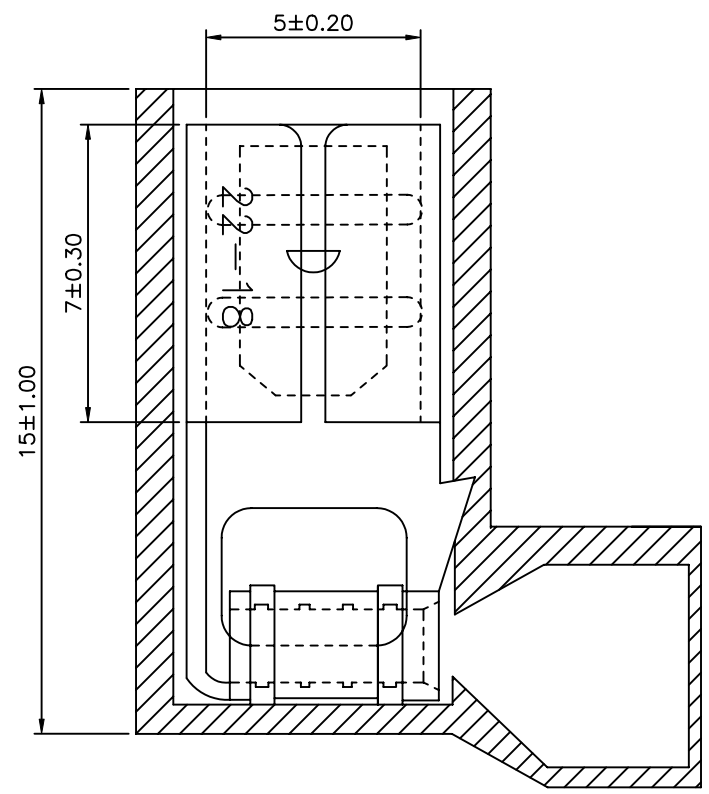
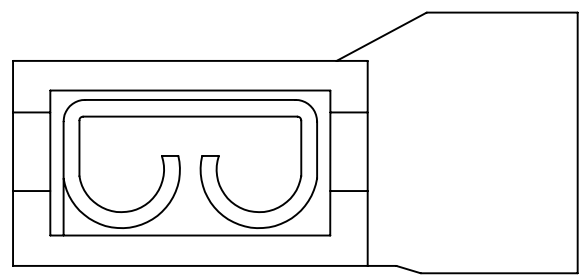


SPECIFICATION
Electric Current(Max):

AWG	22	20	18
AMP	3	4	7

Electrical Rating:105°C 300V Max.
Wire Range:22~18AWG(0.5~0.75mm ϕ)
Nema Tab:0.5mm X 4.75mm
Insulation:Nylon,Red Color
Terminal:Brass,T=0.40mm,Tin Plated
RoHS Compliant



4UCON 元化興業股份有限公司
4UCON TECHNOLOGY INC.

DRAWING No.		APPROVED BY		UNLESS OTHERWISE SPECIFIED TOLERANCES ARE
19373		MEI		
		CHECKED BY		
		HZF		
		DRAWING BY		0~6 ±0.20
		XYH		6~18 ±0.30
				18~30 ±0.40
SCALE	NONE	REV.	A0	UNIT
				mm

NO.	REV.	REVISIONS	CHK	DATE
△ A0		NEW RELEASE	HZF	08/14/2008