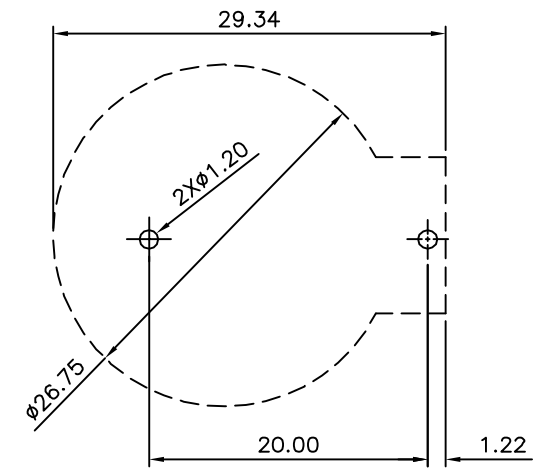
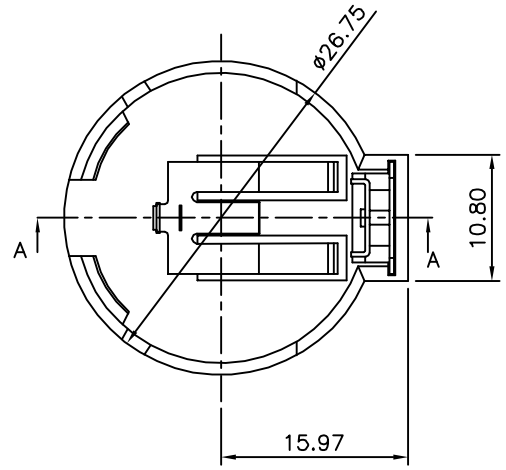
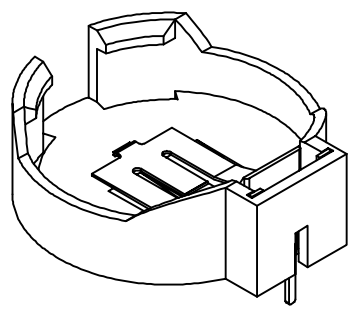
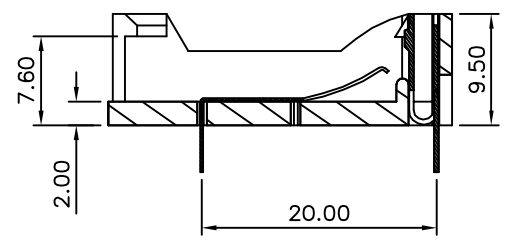
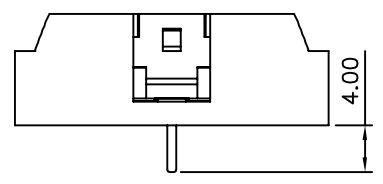


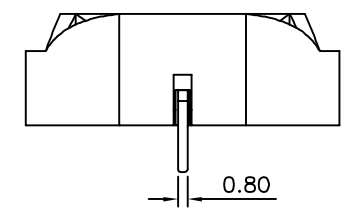
SPECIFICATION
 Housing:PBT(UL94V-0),Black
 Contact:Phosphor Bronze,Tin Plated Over Nickel
 Battery Size:CR2450
 RoHS Compliant



PCB Hole Layout



Section A-A



4UCON 元化興業股份有限公司
 4UCON TECHNOLOGY INC.

DRAWING No.		APPROVED BY		UNLESS OTHERWISE SPECIFIED TOLERANCES ARE .X ±0.25 .XX ±0.20 .XXX ±0.10 ANG. ±2°
19482		EMILY		
		CHECKED BY HZF		
		DRAWING BY SAN		
SCALE	NONE	REV.	B0	UNIT mm

NO.	REV.	REVISIONS	CHK	DATE
△ B0		NEW RELEASE	HZF	04/20/2014