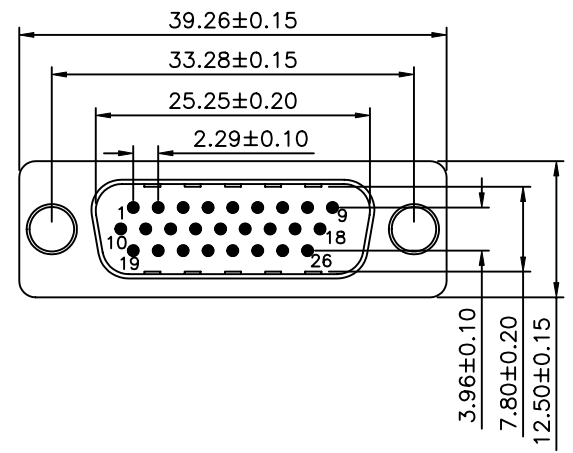
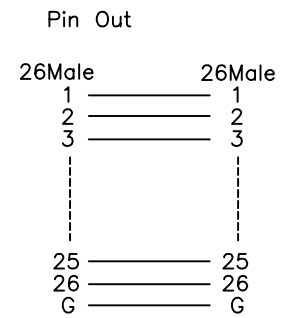
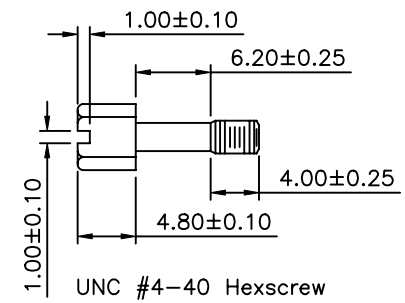
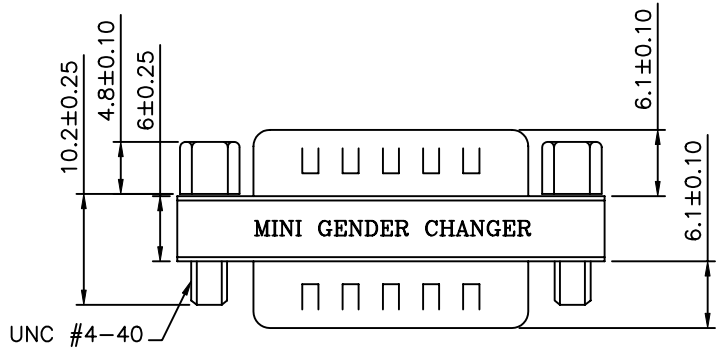


**SPECIFICATION**  
 Insulator:PBT Glass Fibre Reinforced UL94V-0,Blue  
 Contact:Brass,Gold Plated Over Nickel  
 Shell:Tin Plated  
 Label:Yellow Color With Black Character  
 One Side:MINI GENDER CHANGER  
 The Other Side:U.S.A. PATENT 5199906<sup>GENDER CHANGER</sup>  
 RoHS Compliant



**4UCON** 元化興業股份有限公司  
 4UCON TECHNOLOGY INC.

DRAWING No.		APPROVED BY		UNLESS OTHERWISE SPECIFIED TOLERANCES ARE .X ±0.20 .XX ±0.15 .XXX ±0.05 ANG.				
19497		MEI						
		CHECKED BY HZF						
		DRAWING BY HYY						
SCALE	NONE	REV.	A0	UNIT mm	△ A0	NEW RELEASE	HZF	10/07/2008
					NO.REV.	REVISIONS	CHK	DATE