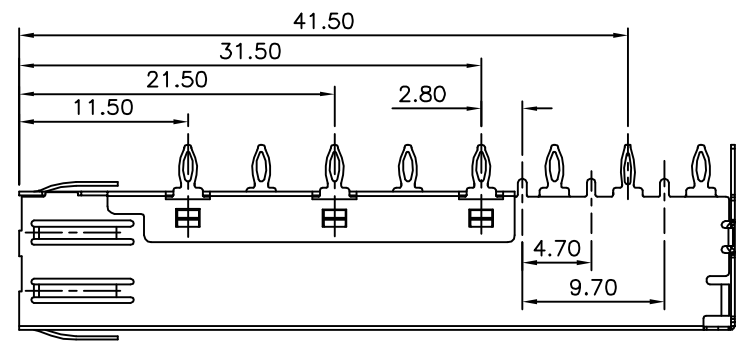
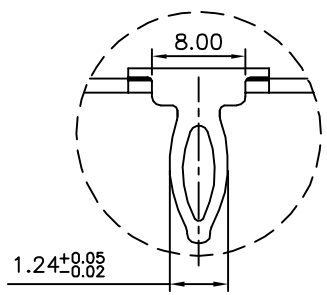


Detail A

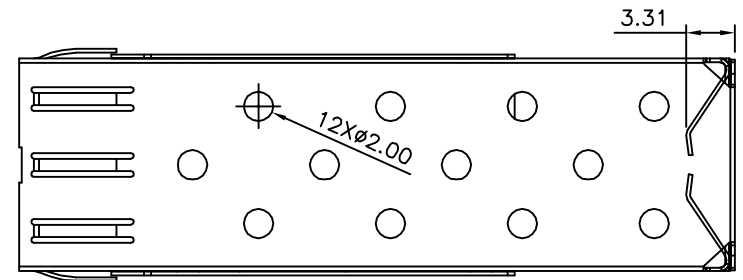


Detail A

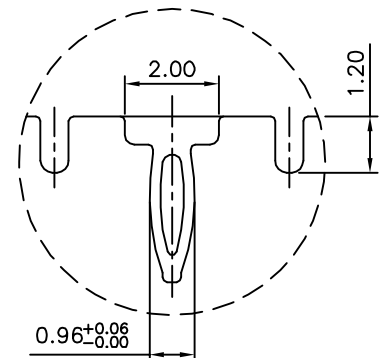
SPECIFICATION
 Shell: Copper Alloy, Nickel Plated
 Spring: Copper Alloy, Nickel Plated
 RoHS Compliant



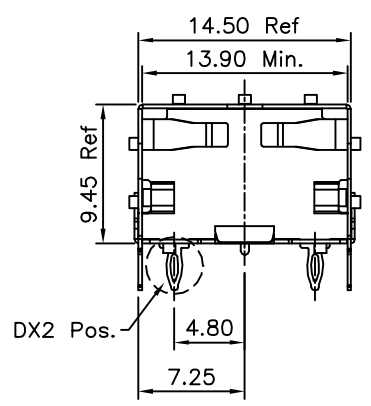
Detail B



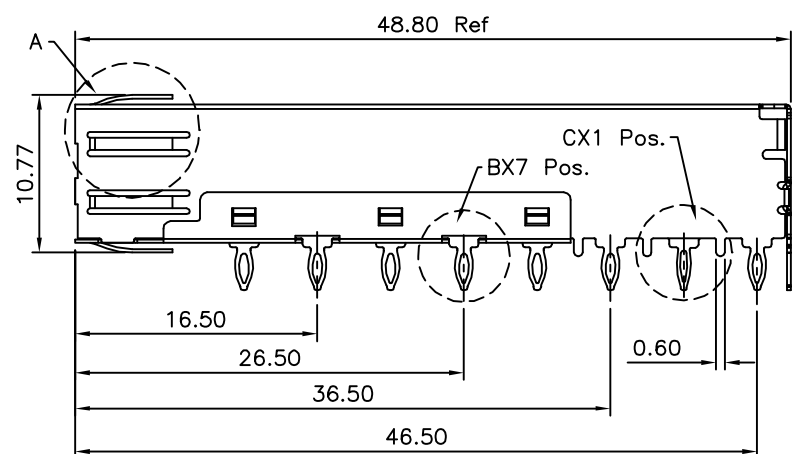
Detail A



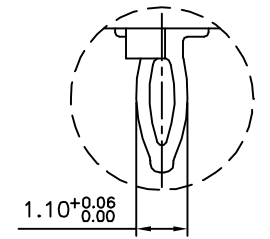
Detail C



Detail A



Detail A

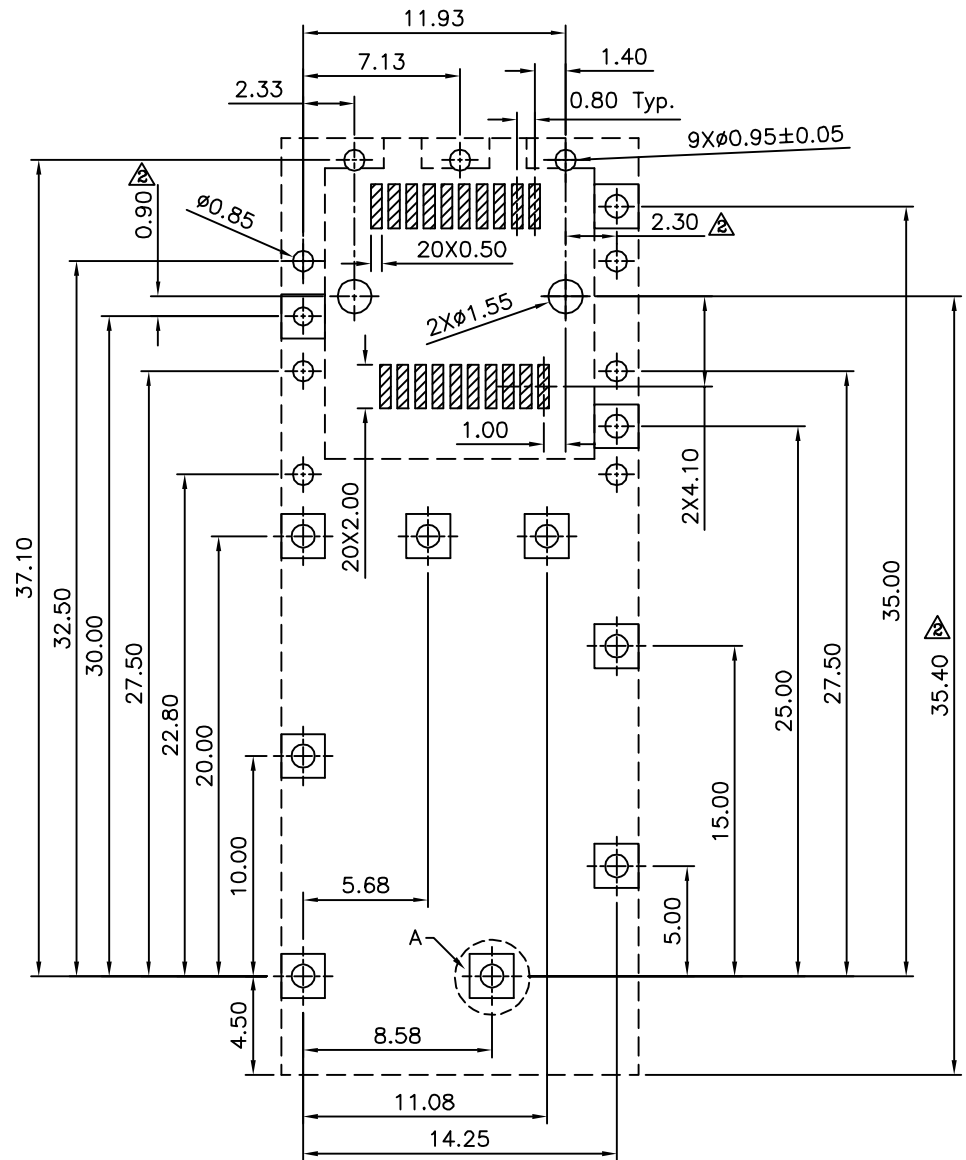


Detail D

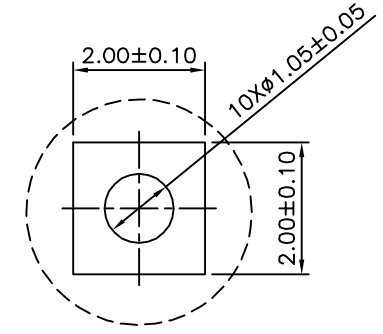
4UCON 元化興業股份有限公司
 4UCON TECHNOLOGY INC.

DRAWING No.		APPROVED BY		UNLESS OTHERWISE SPECIFIED TOLERANCES ARE .X ±0.30 .XX ±0.20 .XXX ±0.10 ANG. ±3°
19521		MEI		
		CHECKED BY	HZF	
		DRAWING BY	SONG	
SCALE	NONE	REV.	A2	UNIT mm

NO.	REV.	REVISIONS	CHK	DATE
△A2		Modify Data	HZF	04/24/2012
△A1		Add PCB Layout	HZF	05/06/2009
△A0		NEW RELEASE	HZF	10/30/2008



Recommended P.C.B Layout (Top View)
PCB Board Tolerance ±0.05



Detail A

4UCON 元化興業股份有限公司
4UCON TECHNOLOGY INC.

DRAWING No.		APPROVED BY		UNLESS OTHERWISE SPECIFIED TOLERANCES ARE .X ±0.10 .XX ±0.05 .XXX ±0.01 ANG. ±3°
19521		MEI		
		CHECKED BY		
		HZF		
		DRAWING BY		UNIT mm
		SONG		
SCALE	NONE	REV.	A2	

NO.	REV.	REVISIONS	CHK	DATE
△A2		Modify Data	HZF	04/24/2012
△A1		Add PCB Layout	HZF	05/06/2009
△A0		NEW RELEASE	HZF	10/30/2008