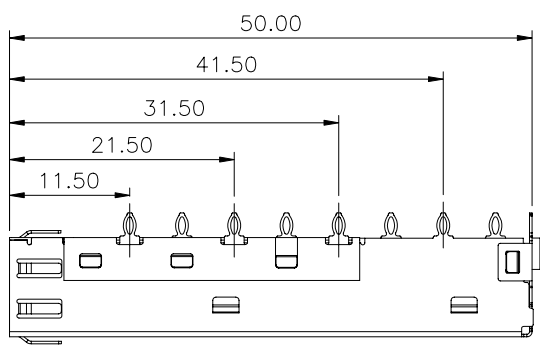
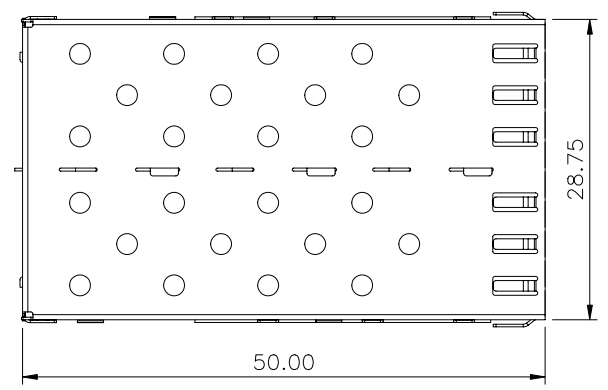
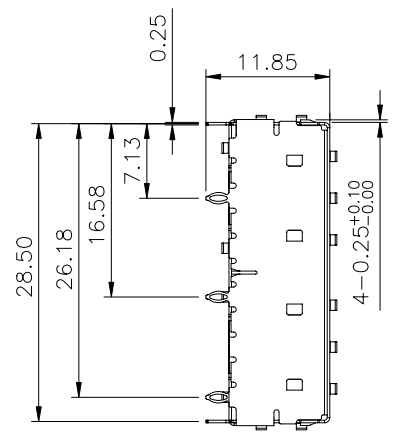
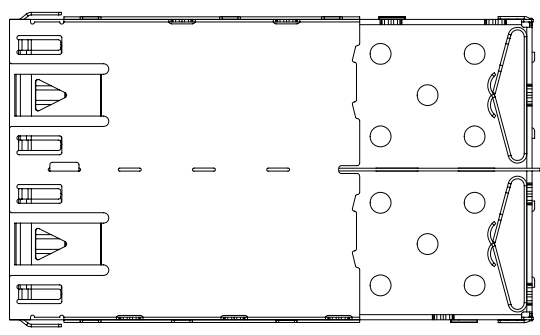
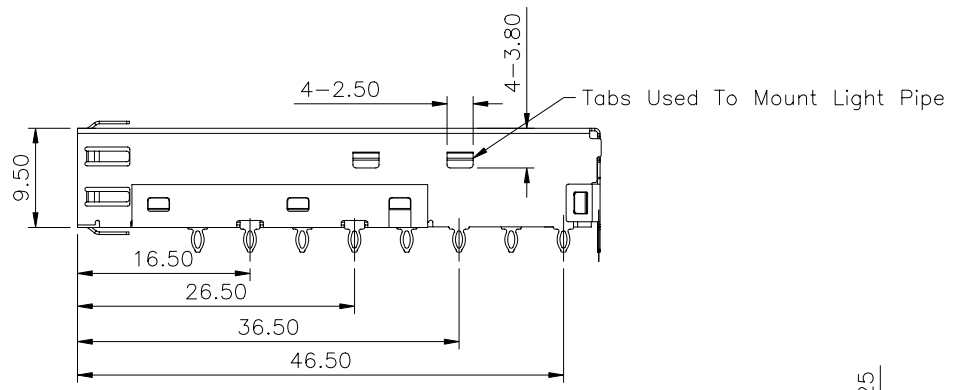


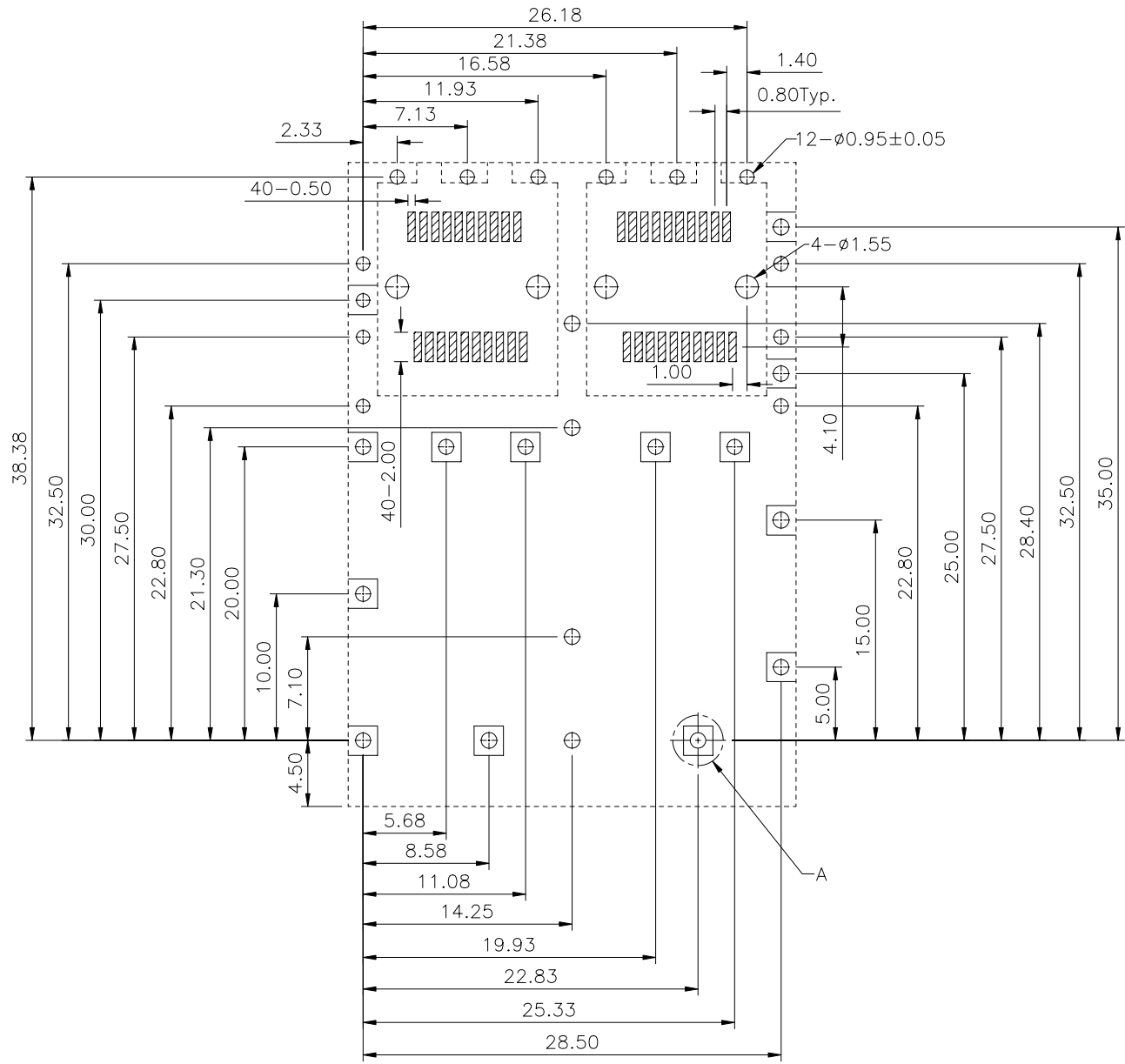
SPECIFICATION  
 Shell: Brass, Nickel Plated  
 RoHS Compliant



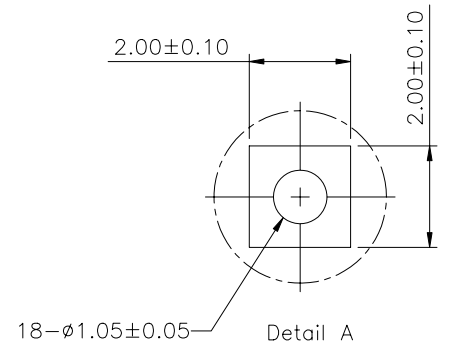
**4UCON** 元化興業股份有限公司  
 4UCON TECHNOLOGY INC.

DRAWING No.		APPROVED BY		UNLESS OTHERWISE SPECIFIED TOLERANCES ARE .X ±0.30 .XX ±0.20 .XXX ±0.10 ANG. ±3°
19522		MEI		
		CHECKED BY	HZF	
		DRAWING BY	XYH	
SCALE	NONE	REV.	A1	UNIT mm

NO.	REV.	REVISIONS	CHK	DATE
△	A1	Add PCB Layout	HZF	05/05/2009
△	A0	NEW RELEASE	HZF	10/30/2008



P.C.B Layout  
Top View ±0.05



**4UCON** 元化興業股份有限公司  
4UCON TECHNOLOGY INC.

DRAWING No.		APPROVED BY		UNLESS OTHERWISE SPECIFIED TOLERANCES ARE .X ±0.30 .XX ±0.20 .XXX ±0.10 ANG. ±3°
19522		MEI		
		CHECKED BY HZF		
		DRAWING BY XYH		
SCALE	NONE	REV.	A1	UNIT mm

NO.	REV.	REVISIONS	CHK	DATE
△	A1	Add PCB Layout	HZF	05/05/2009
△	A0	NEW RELEASE	HZF	10/30/2008