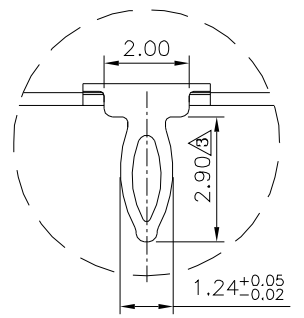
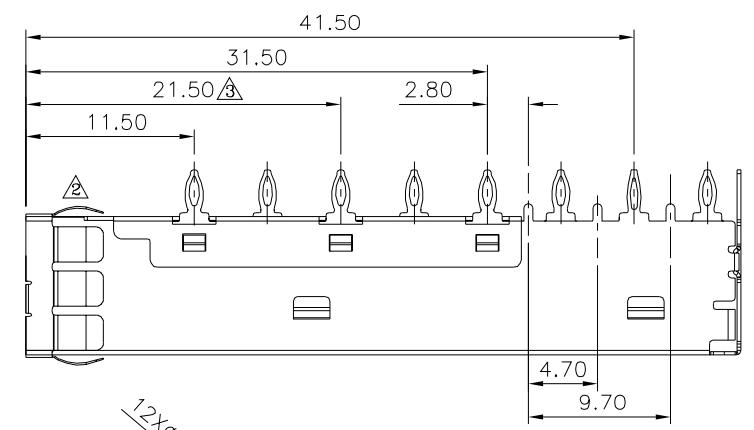
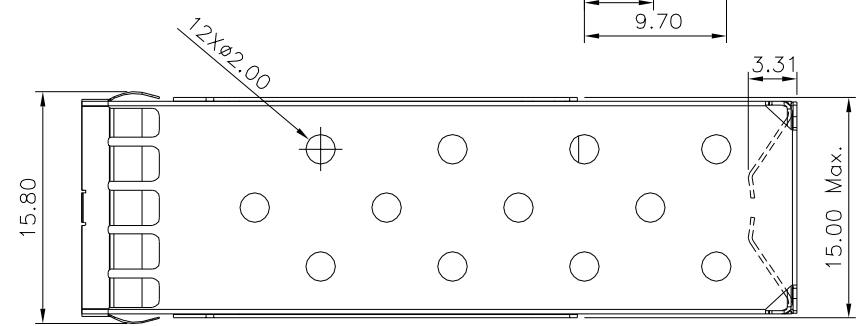


Detail A

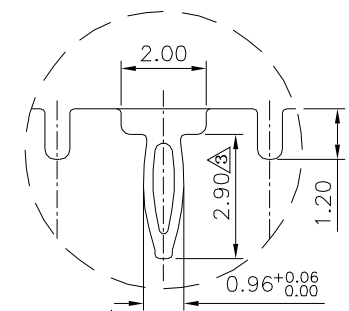
△△ SPECIFICATION
 Shell: Phosphor Bronze, Nickel Plated
 Spring: Phosphor Bronze, Nickel Plated
 RoHS Compliant



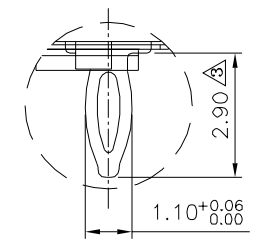
△ Detail B



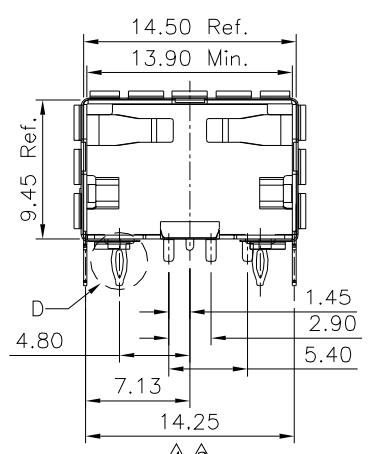
△△



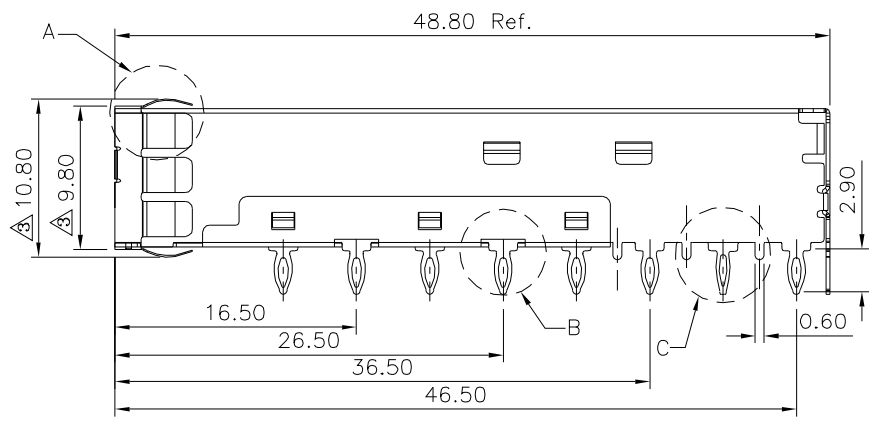
△ Detail C



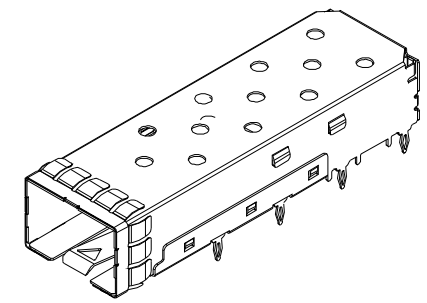
△ Detail D



△△



△



4UCON 元化興業股份有限公司
 4UCON TECHNOLOGY INC.

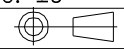
DRAWING No. △
 19523

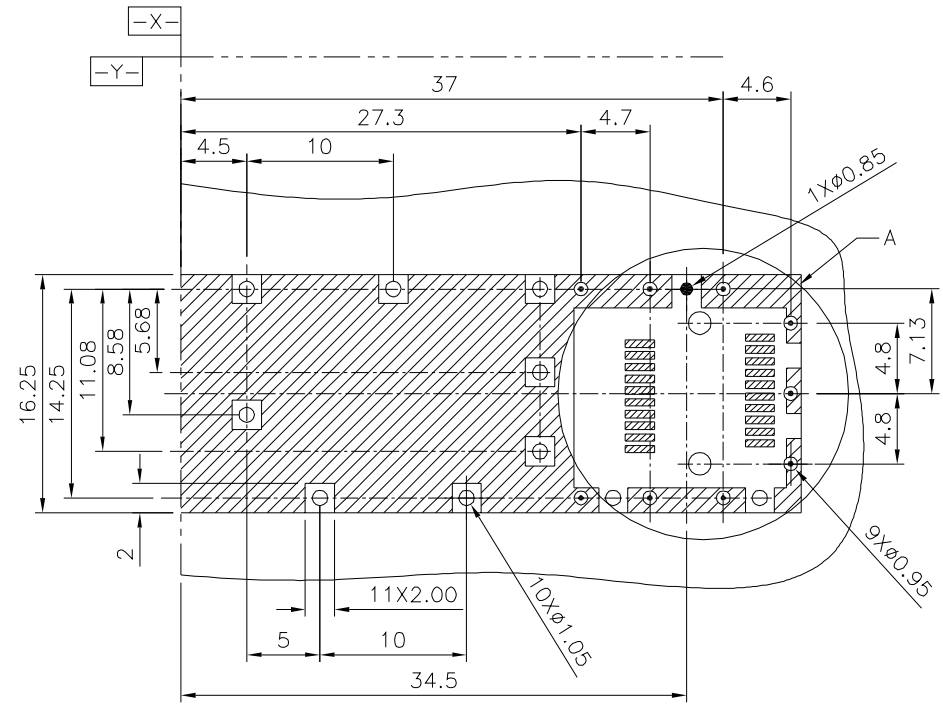
APPROVED BY MEI
 CHECKED BY HZF
 DRAWING BY CYP
 REV. A4

UNLESS OTHERWISE SPECIFIED TOLERANCES ARE
 .X ±0.30
 .XX ±0.20
 .XXX ±0.10
 ANG. ±3°

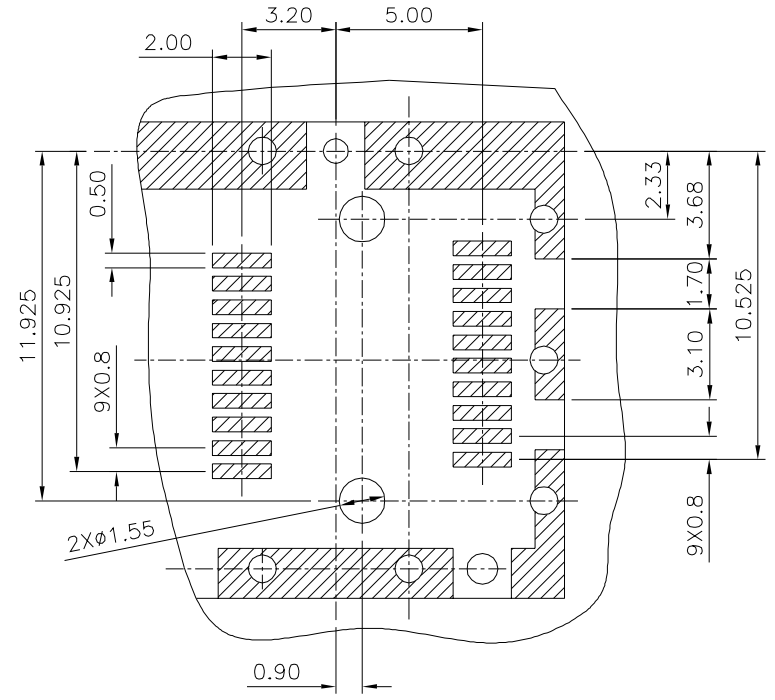
△ A4	Modify Data	HZF	06/09/2017
△ A3	Modify Data	HZF	10/28/2015
△ A2	Modify Data	HZF	11/04/2013
△ A1	Modify Data	HZF	05/06/2009
△ A0	NEW RELEASE	HZF	10/30/2008
NO. REV.	REVISIONS	CHK	DATE

SCALE NONE





Recommended P.C.B. Layout (Top View)
 (PCB Board Tolerance ±0.05) Thickness = 3.0mm



Detail A

4UCON 元化興業股份有限公司
 4UCON TECHNOLOGY INC.

DRAWING No.		APPROVED BY		UNLESS OTHERWISE SPECIFIED TOLERANCES ARE △.X ±0.30 △.XX ±0.20 △.XXX ±0.10 ANG. ±3°
19523		MEI		
		HZF		
		DRAWING BY		UNIT mm
		CYP		
SCALE	NONE	REV.	A4	NO. REV.

△A4	Modify Data	HZF	06/09/2017
△A3	Modify Data	HZF	10/28/2015
△A2	Modify Data	HZF	11/04/2013
△A1	Modify Data	HZF	05/06/2009
△A0	NEW RELEASE	HZF	10/30/2008
REVISIONS		CHK	DATE