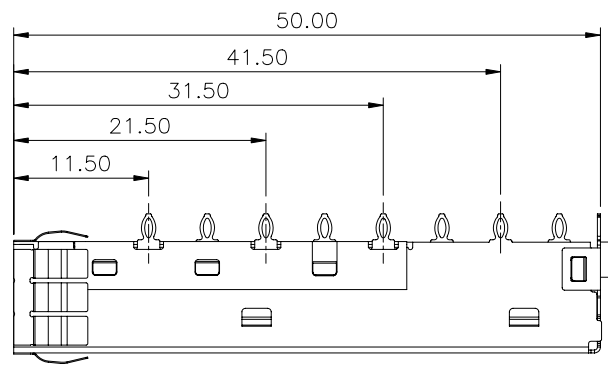
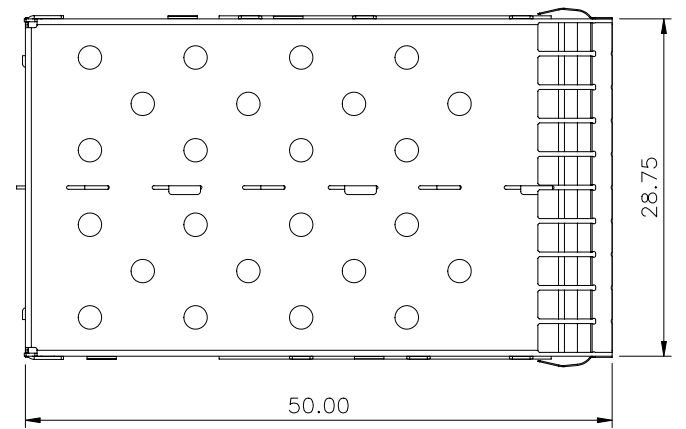
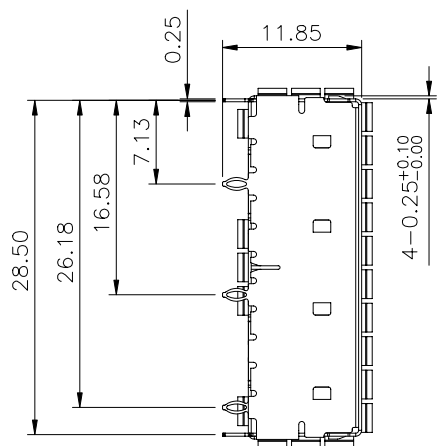
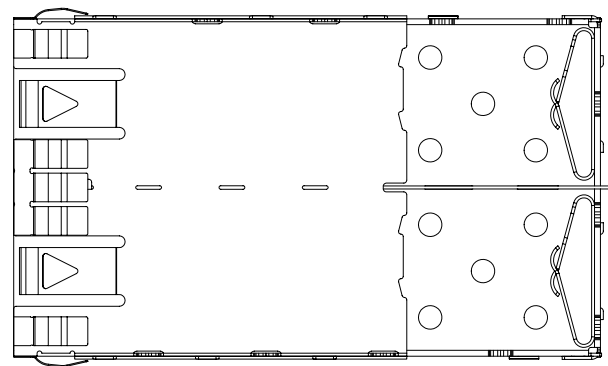
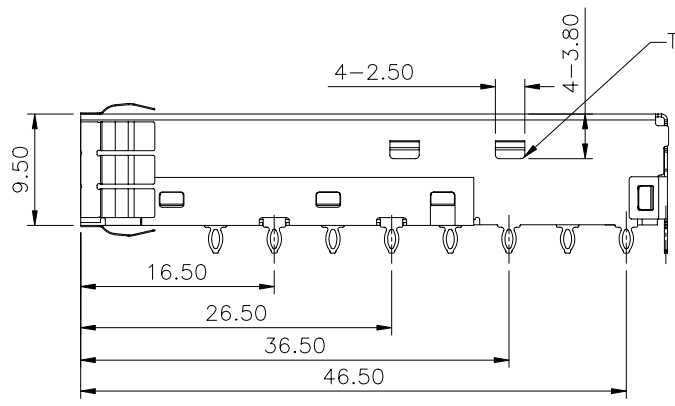


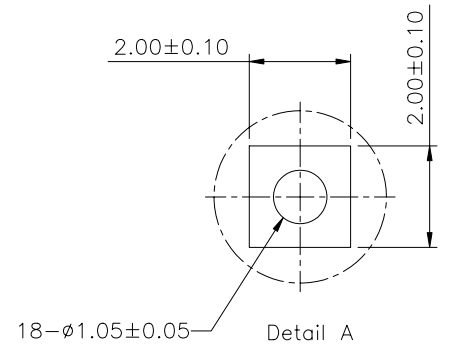
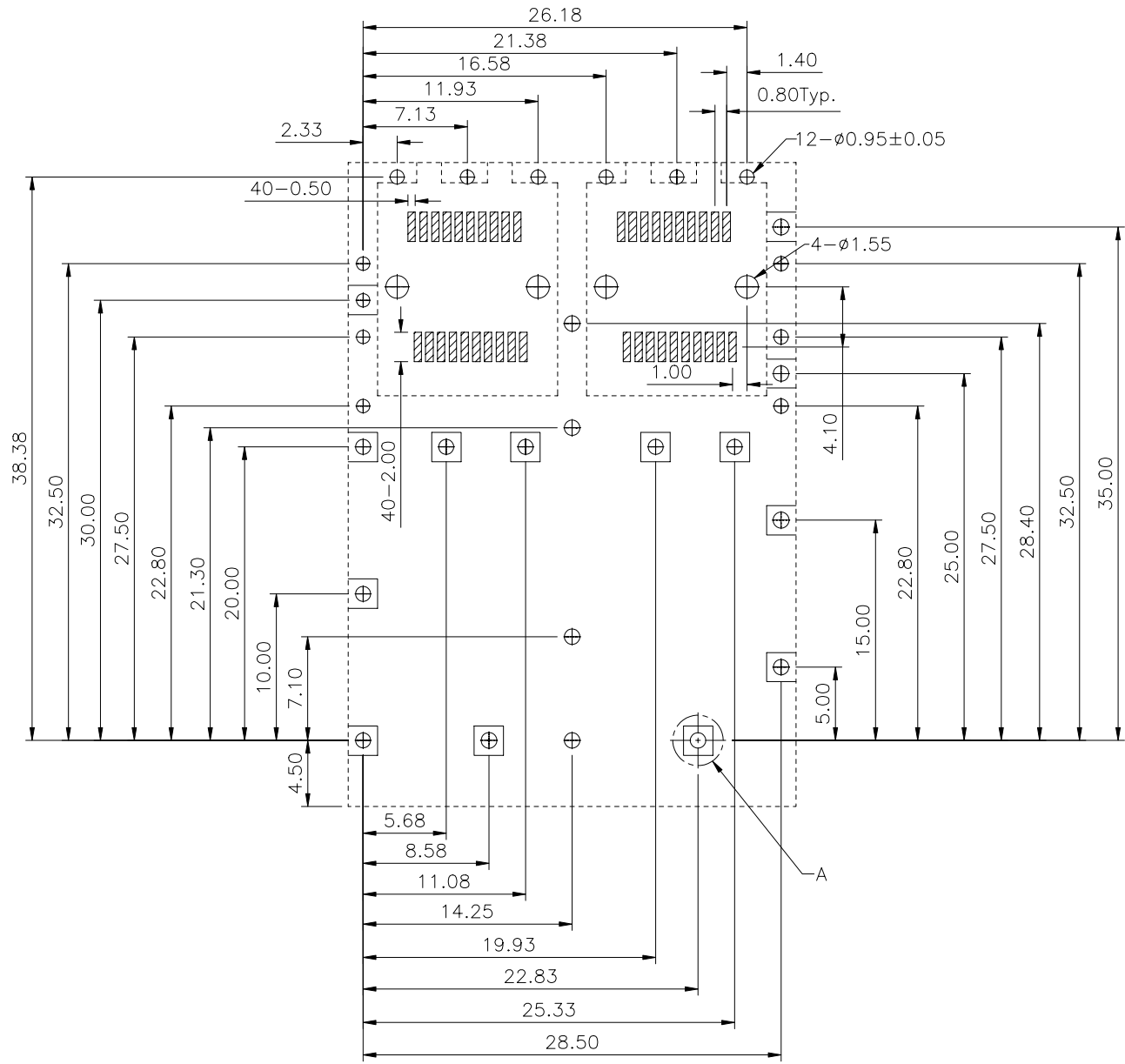
SPECIFICATION
 Shell: Copper Alloy, Nickel Plated
 Spring: Copper Alloy, Nickel Plated
 RoHS Compliant



4UCON 元化興業股份有限公司
 4UCON TECHNOLOGY INC.

DRAWING No.		APPROVED BY		UNLESS OTHERWISE SPECIFIED TOLERANCES ARE .X ±0.30 .XX ±0.20 .XXX ±0.10 ANG. ±3°
19524		MEI		
		CHECKED BY	HZF	
		DRAWING BY	XYH	
SCALE	NONE	REV.	A1	UNIT mm

NO.	REV.	REVISIONS	CHK	DATE
△	A1	Add PCB Layout	HZF	05/06/2009
△	A0	NEW RELEASE	HZF	10/30/2008



P.C.B Layout
Top View ±0.05

4UCON 元化興業股份有限公司
4UCON TECHNOLOGY INC.

DRAWING No.
19524

APPROVED BY MEI
CHECKED BY HZF
DRAWING BY XYH

UNLESS OTHERWISE SPECIFIED TOLERANCES ARE
.X ±0.30
.XX ±0.20
.XXX ±0.10
ANG. ±3°

SCALE NONE

REV. A1

UNIT mm

NO.	REV.	REVISIONS	CHK	DATE
△	A1	Add PCB Layout	HZF	05/06/2009
△	A0	NEW RELEASE	HZF	10/30/2008