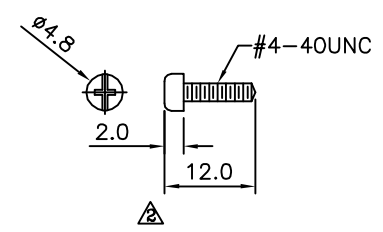
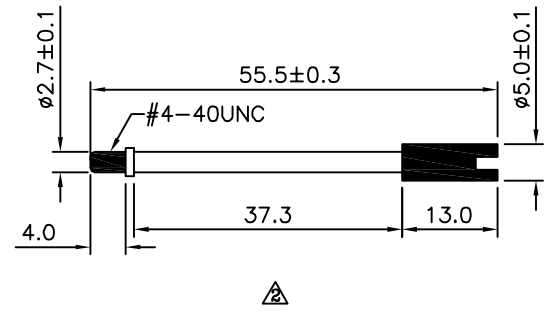
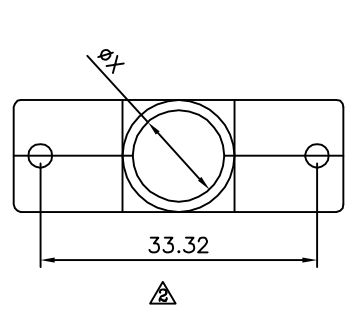
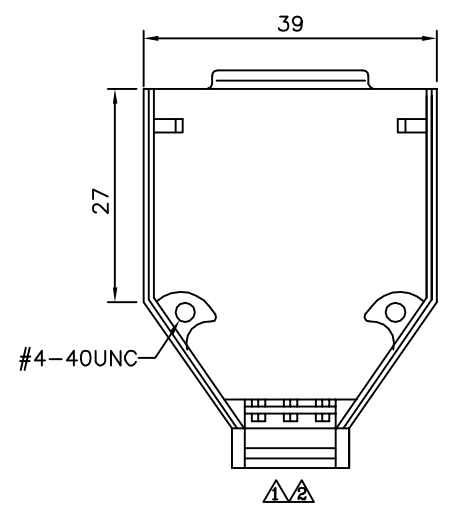
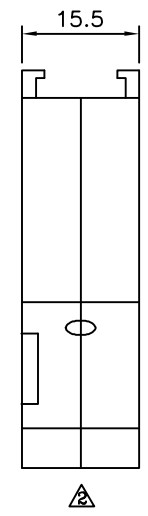
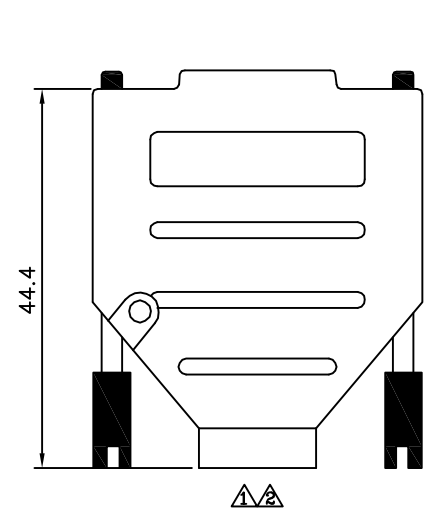


△ SPECIFICATION

Material: Zinc Alloy, Nickel Plated
 Screw: Steel, Nickel Plated
 X-OD(mm): 6.0, 7.5, 9.0, 11.0
 RoHS Compliant



4UCON

元化興業股份有限公司
 4UCON TECHNOLOGY INC.

DRAWING No.		APPROVED BY		UNLESS OTHERWISE SPECIFIED TOLERANCES ARE X. ±0.5 .X ±0.3 .XX ±0.2 ANG. ±5°
19561		MEI		
		CHECKED BY HZF		
		DRAWING BY HAO		
SCALE	NONE	REV.	A2	UNIT mm

NO.	REV.	REVISIONS	CHK	DATE
△ A2		Modify Data	HZF	03/08/2016
△ A1		Modify Data	HZF	11/17/2009
△ A0		NEW RELEASE	HZF	01/31/2008