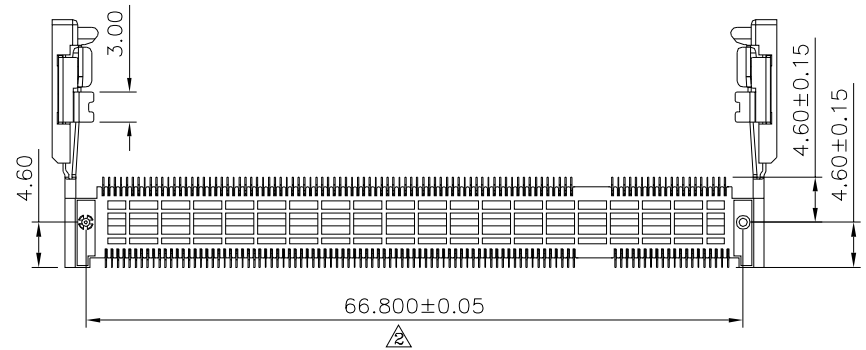
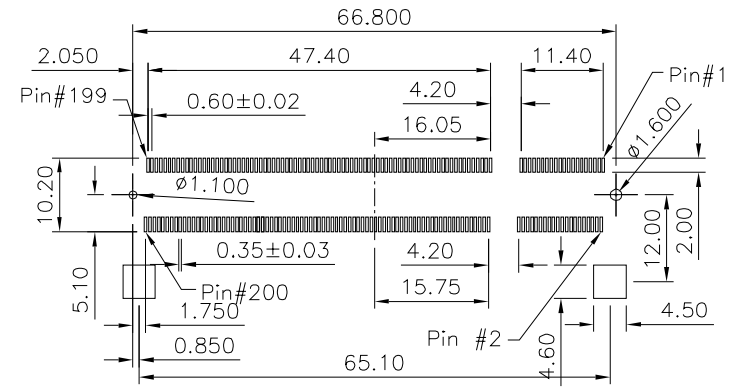
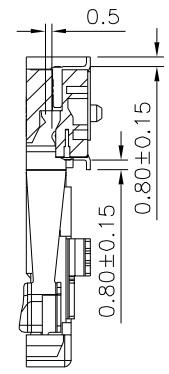
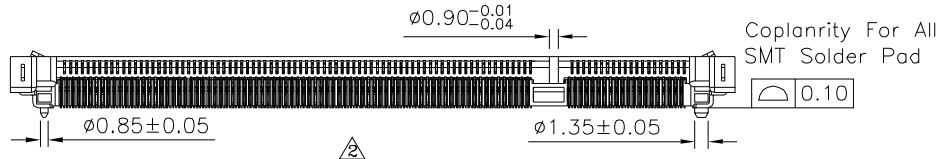
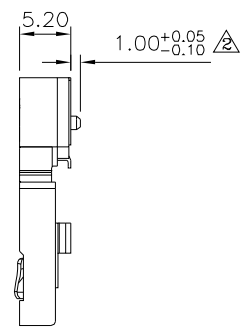
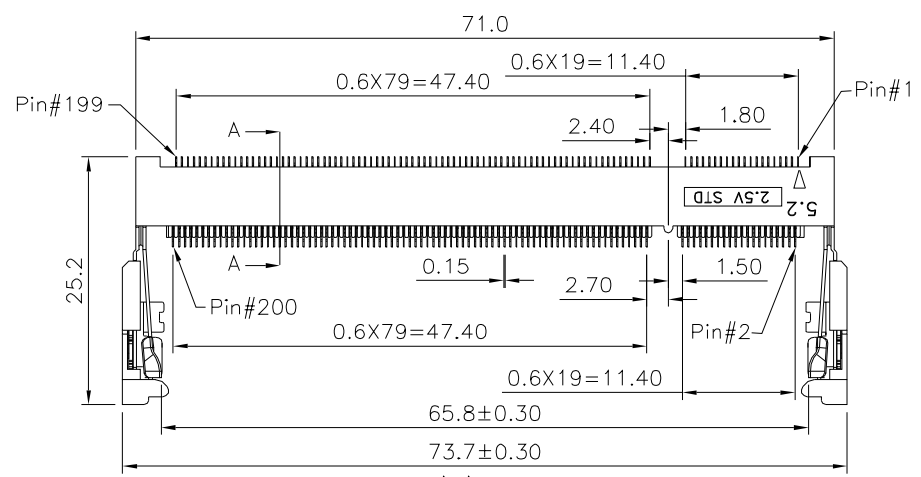


△△ SPECIFICATION

Current:0.5A
 Voltage:35V AC/Pin
 Operation Temperature:-40°C~+80°C
 Storage Temperature:-40°C~+85°C
 Operation Humidity Range:5%~95% RH
 Withstand Voltage:250V AC RMS For 1 Minute
 Contact Resistance:50 Milliohms Max.
 Insulation Resistance:Initial:500 Megaohms Min.
 Final:100 Megaohms Min.
 Insulator:LCP(UL94V-0),Black
 Pin:Phosphor Bronze,Gold Flash On Contact Area,
 Gold Flash On Solder Tails,Over Nickel
 Latch:Stainless Steel,Tin Plated Over Nickel
 RoHS Compliant



4UCON 元化興業股份有限公司
 4UCON TECHNOLOGY INC.

DRAWING No.
 19641

APPROVED BY
 MEI
 CHECKED BY
 HZF
 DRAWING BY
 CYP

UNLESS OTHERWISE SPECIFIED TOLERANCES ARE
 X. ±0.30 X.* ±2.00*
 .X ±0.20 .X.* ±1.00*
 .XX ±0.10 .XX.* ±0.50*

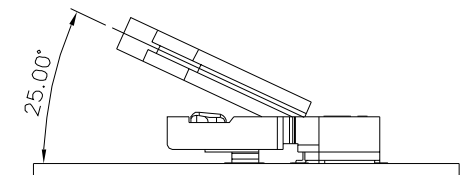
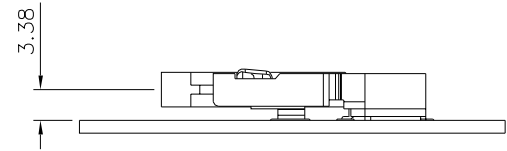
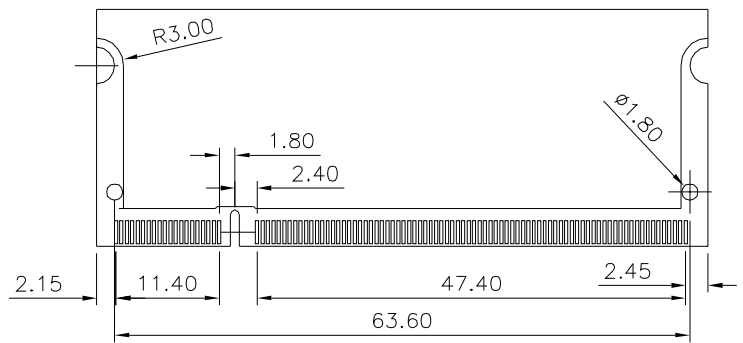
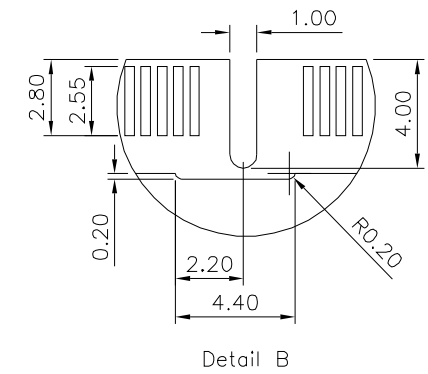
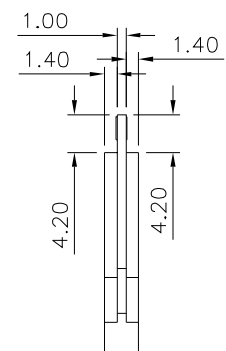
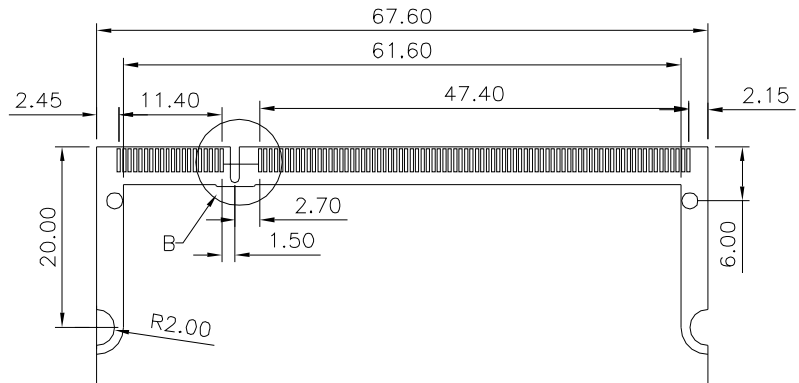
NO.	REV.	REVISIONS	CHK	DATE
△A2		Modify Data	HZF	09/19/2019
△A1		Modify Data	HZF	04/30/2014
△A0		NEW RELEASE	HZF	04/21/2008

SCALE NONE

REV. A2

UNIT mm

NO. REV. REVISIONS CHK DATE



4UCON 元化興業股份有限公司
4UCON TECHNOLOGY INC.

DRAWING No.
19641
SCALE NONE

APPROVED BY
MEI
CHECKED BY
HZF
DRAWING BY
CYP
REV. A2

UNLESS OTHERWISE SPECIFIED TOLERANCES ARE
X. ±0.30 X.* ±2.00
.X ±0.20 .X.* ±1.00
.XX ±0.10 .XX.* ±0.50

NO.	REV.	REVISIONS	CHK	DATE
		A2 Modify Data	HZF	09/19/2019
		A1 Modify Data	HZF	04/30/2014
		A0 NEW RELEASE	HZF	04/21/2008