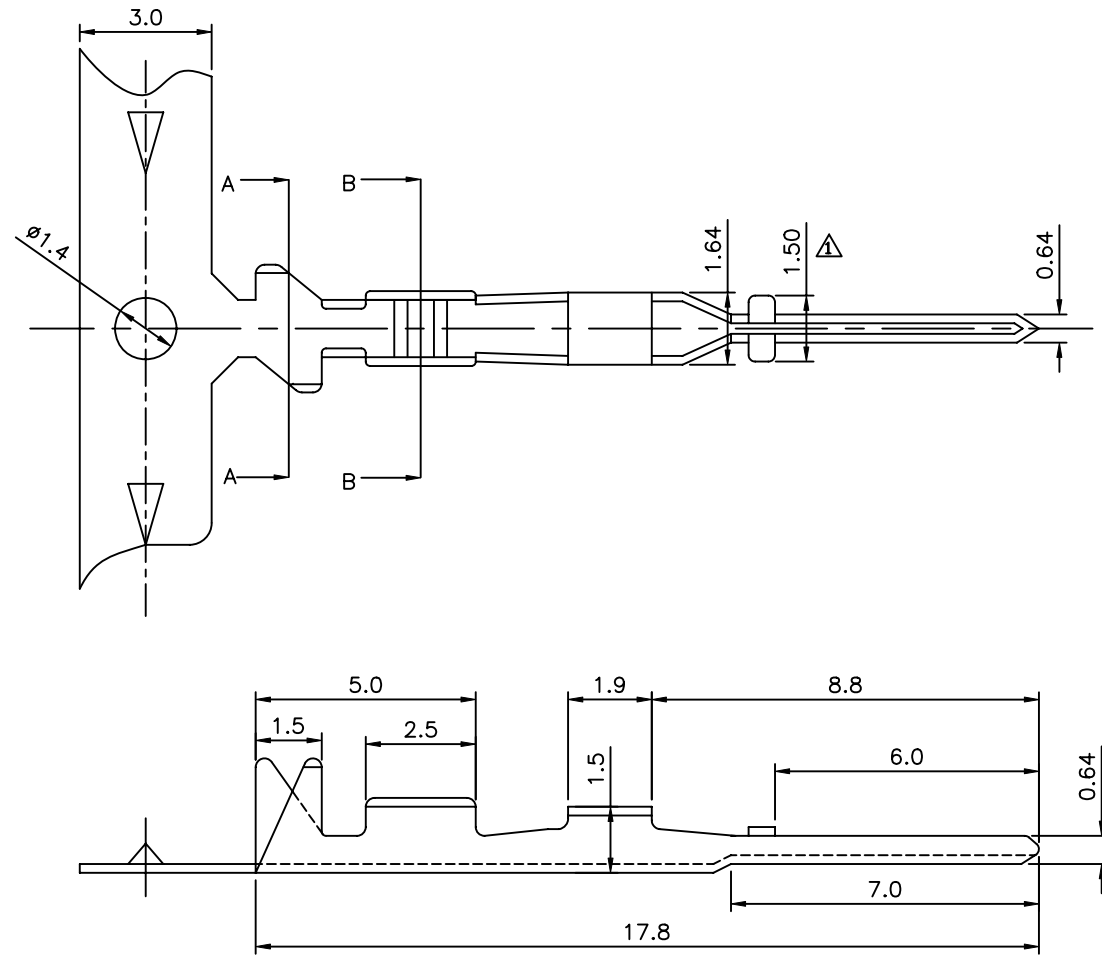
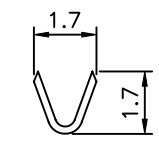


**△ SPECIFICATION**  
 Material: Brass, Tin Plated  
 Wire Range: AWG#22~#28  
 Insulation O.D: 1.70mm Max.  
 Thickness: 0.2mm  
 Q'ty: 10000 PCS/Reel  
 RoHS Compliant



Section A-A



Section B-B

**4UCON** 元化興業股份有限公司  
 4UCON TECHNOLOGY INC.

|             |      |             |    |   |
|-------------|------|-------------|----|---|
| DRAWING No. |      | APPROVED BY |    | UNLESS OTHERWISE SPECIFIED TOLERANCES ARE<br>.X ±0.38<br>.XX ±0.25<br>ANG:<br>UNIT mm |
| 19650       |      | EMILY       |    |   |
|             |      | CHECKED BY  |    |   |
|             |      | HZF         |    |   |
|             |      | DRAWING BY  |    |   |
|             |      | WSS         |    |   |
| SCALE       | NONE | REV.        | A1 |   |

|      |      |             |     |            |
|------|------|-------------|-----|------------|
| NO.  | REV. | REVISIONS   | CHK | DATE       |
| △ A1 |      | Modify Data | HZF | 02/24/2011 |
| △ A0 |      | NEW RELEASE | HZF | 03/26/2007 |