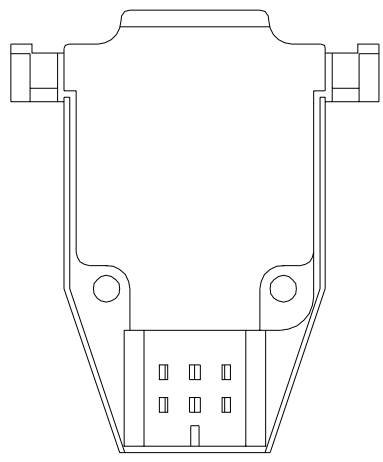
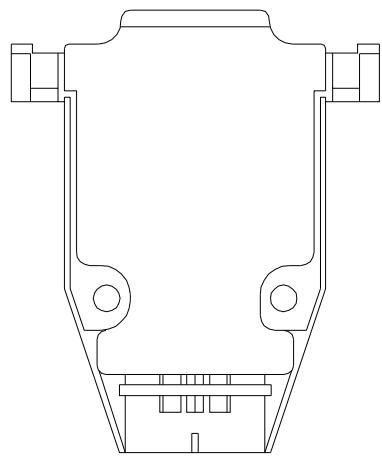


**△ SPECIFICATION**  
 Shell: Zinc Alloy, Chromate Plated  
 Accessories (2 PCS/Set): Steel  
 Nickel Plated Over All  
 RoHS Compliant

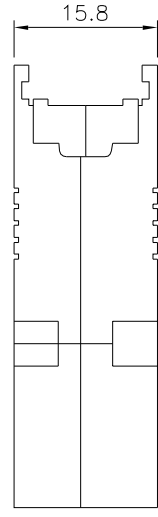
Cable O.D. (Dim X)	7mm	8mm	9mm	10mm	12mm
--------------------	-----	-----	-----	------	------



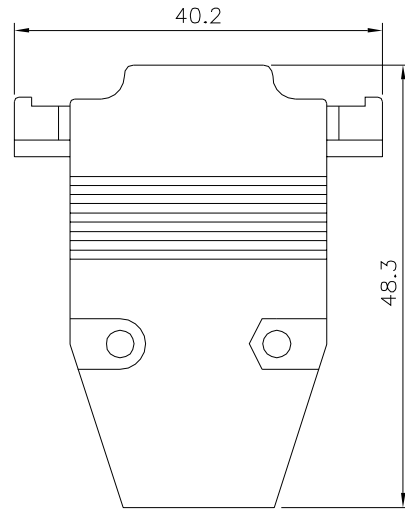
△ Cable O.D. 7.0/9.0/10.0mm



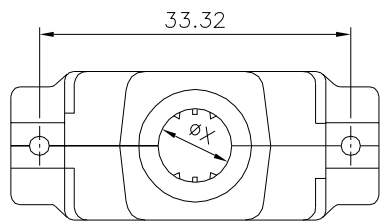
△△ Cable O.D. 8.0/12.0mm



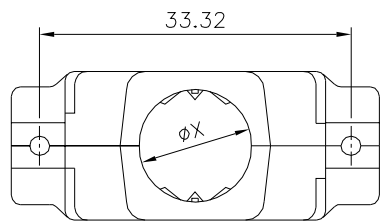
△△



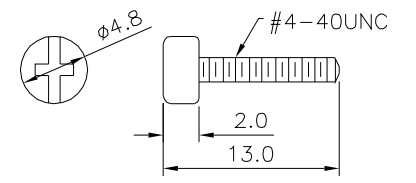
△△



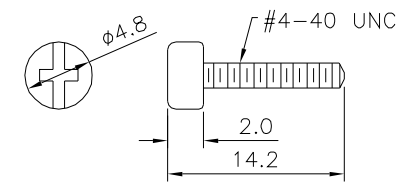
△ Cable O.D. 7.0/9.0/10.0mm



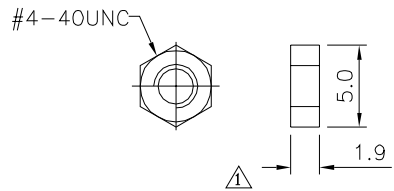
△△ Cable O.D. 8.0/12.0mm



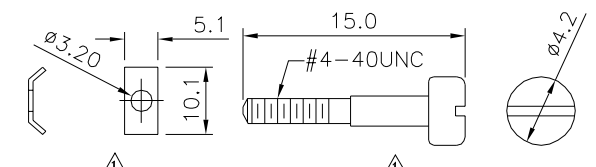
△△ Screw: For O.D. 7.0/9.0/10.0mm



△ Screw: For O.D. 8.0/12.0mm



△



△

△

**4U CON** 元化興業股份有限公司  
 4U CON TECHNOLOGY INC.

DRAWING No. △△  
 19692

APPROVED BY MEI  
 CHECKED BY HZF  
 DRAWING BY CYP  
 REV. A3

UNLESS OTHERWISE SPECIFIED TOLERANCES ARE  
 X. ±0.5  
 .X ±0.3  
 .XX ±0.2  
 ANG. ±5°

NO.	REV.	REVISIONS	CHK	DATE
△	A3	Modify Data	HZF	03/19/2019
△	A2	Modify Data	HZF	12/07/2018
△	A1	Modify Data	HZF	01/16/2014
△	A0	NEW RELEASE	SHIN	06/24/2007

SCALE NONE

REV. A3

