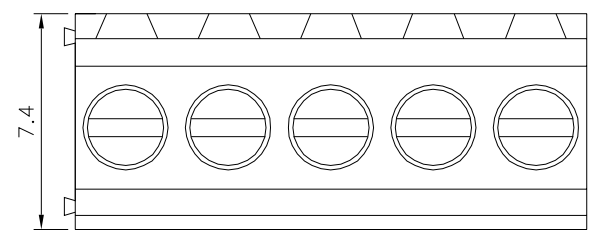
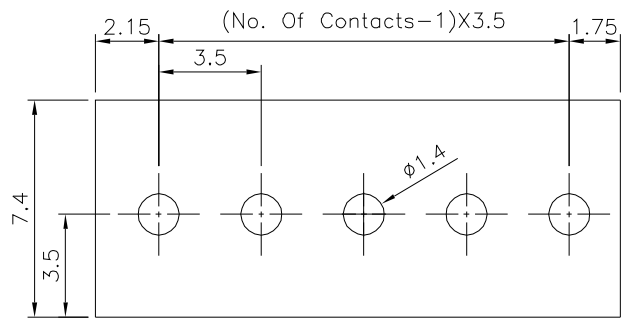


△△ SPECIFICATION

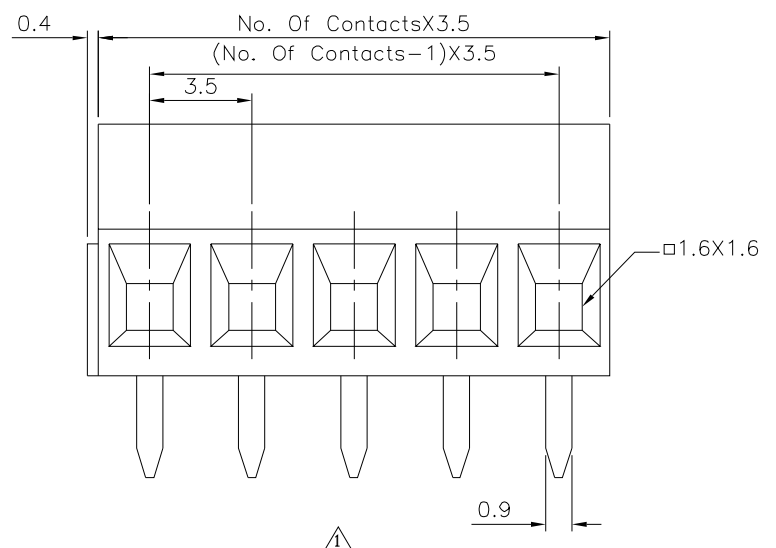
Voltage Rating:300V AC
 Current Rating:10 Amp/Way Max.
 Contact Resistance:20 Milliohms Max.
 Withstanding Voltage:2500V AC For 1 Minute
 Test Time=60 Sec./1 PCS
 Wire Range:16~30AWG
 Torque:2 Kgf.cm/M2
 Operation Temperature:-40°C~+105°C
 Soldering Reliability:Test Temperature=250°C±10°C
 5 Seconds Max.
 Contact(Metal Housing):Copper Alloy,Nickel Plated
 Solder Pin:Copper Alloy,Tin Plated
 Terminal Screw:Steel,Galvanized With Cr3+ Plated
 Insulator Body(Housing):Polyamide(UL94V-0),Green
 RoHS Compliant



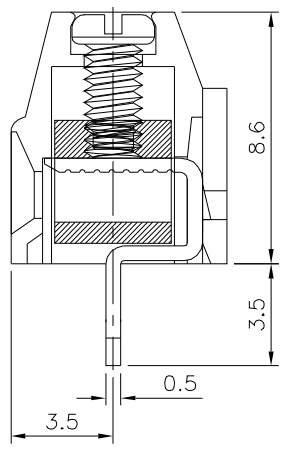
△△△



△ Recommended P.C.B. Layout



△



△

4UCON 元化興業股份有限公司
 4UCON TECHNOLOGY INC.

DRAWING No. △		APPROVED BY		UNLESS OTHERWISE SPECIFIED TOLERANCES ARE X. ±0.50 .X ±0.30 .XX ±0.20 X° ±1°	△ A4	Modify Data	HZF	02/13/2017	
19697		MEI			△ A3	Modify Data	HZF	11/24/2016	
		CHECKED BY			△ A2	Modify Data	HZF	02/14/2014	
SCALE		REV.		△ A1	Modify Data	HZF	05/13/2010		
		NONE		A4	△ A0	NEW RELEASE	HZF	04/07/2009	
				UNIT	NO.REV.		REVISIONS	CHK	DATE



mm	△		
----	---	--	--