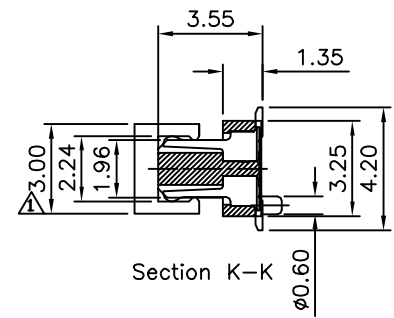
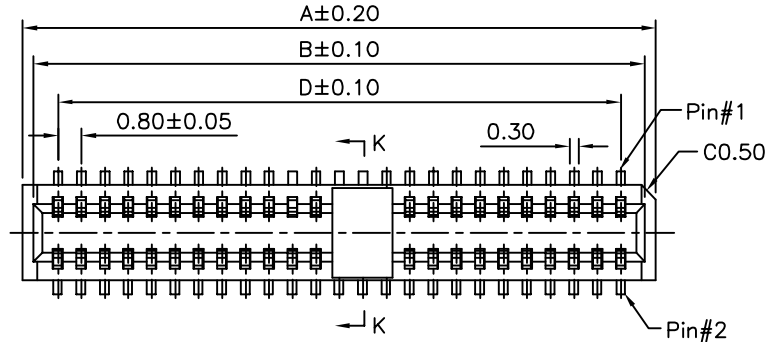


△ SPECIFICATION

- 1.General Characteristics:  
0.8mm Board To Board Female XFP SMT 180°  
With Post Stacking Height=4.5/5.0/5.65/6.0/6.5mm  
With Cap Tape&Reel 1K/Reel
- 2.Material&Finish:  
Housing:PA46(UL94V-0),Beige  
Contact:Phosphor Bronze,Gold Plated
- 3.Electrical Characteristics:  
Current Rating:0.5A AC/DC  
Voltage Rating:100V AC/DC  
Contact Resistance:40 Milliohms Max.  
Insulation Resistance:100 Megaohms Min.  
Withstanding Voltage:500V(R.M.S)AC For One Minute
- 4.Environmental Characteristics:  
Operation Temperature Range:-40°C~+105°C
- 5.RoHS Compliant

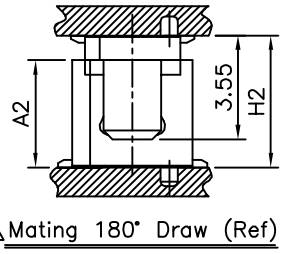
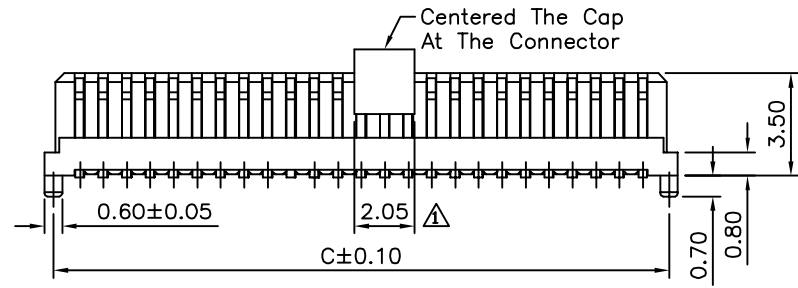


△ Mating 90° Dimension

Series No.(Plug)	Series No.(Socket)	A1	H1	E
1650	1636	3.55	5.65	0.95

Mating 180° Dimension

Series No.(Plug)	Series No.(Socket)	A2	H2
1632	1636	3.65	4.50
1633	1636	4.15	5.00
1634	1636	5.15	6.00
1635	1636	5.65	6.50



Pin	A	B	C	D	Pin	A	B	C	D
10	5.60	4.85	5.00	3.20	34	15.20	14.45	14.60	12.80
12	6.40	5.65	5.80	4.00	36	16.00	15.25	15.40	13.60
14	7.20	6.45	6.60	4.80	38	16.80	16.05	16.20	14.40
16	8.00	7.25	7.40	5.60	40	17.60	16.85	17.00	15.20
18	8.80	8.05	8.20	6.40	50	21.60	20.85	21.00	19.20
20	9.60	8.85	9.00	7.20	60	25.60	24.85	25.00	23.20
22	10.40	9.65	9.80	8.00	68	28.80	28.05	28.20	26.40
24	11.20	10.45	10.60	8.80	70	29.60	28.85	29.00	27.20
26	12.00	11.25	11.40	9.60	80	33.60	32.85	33.00	31.20
28	12.80	12.05	12.20	10.40	90	37.60	36.85	37.00	35.20
30	13.60	12.85	13.00	11.20	100	41.60	40.85	41.00	39.20
32	14.40	13.65	13.80	12.00					

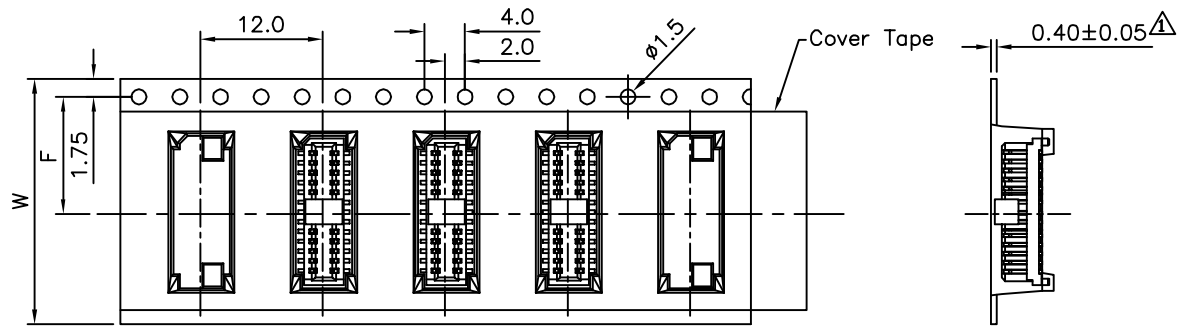
**4UCON** 元化興業股份有限公司  
4UCON TECHNOLOGY INC.

DRAWING No.		APPROVED BY		UNLESS OTHERWISE SPECIFIED TOLERANCES ARE .X ±0.20 .XX ±0.15
19732		MEI		
		CHECKED BY HZF		
		DRAWING BY WSS		UNIT mm
SCALE	NONE	REV.	A1	

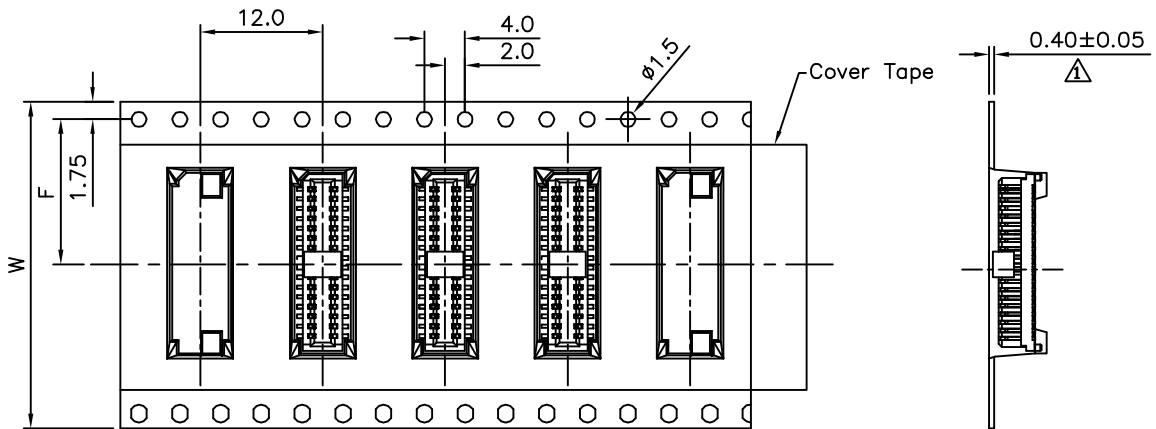
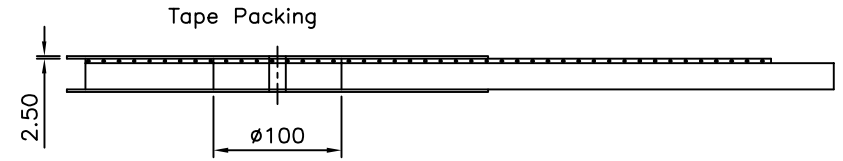
△ A1	Modify Data	HZF	08/09/2011
△ A0	NEW RELEASE	HZF	01/08/2009
NO.REV.	REVISIONS	CHK	DATE

**△ SPECIFICATION**

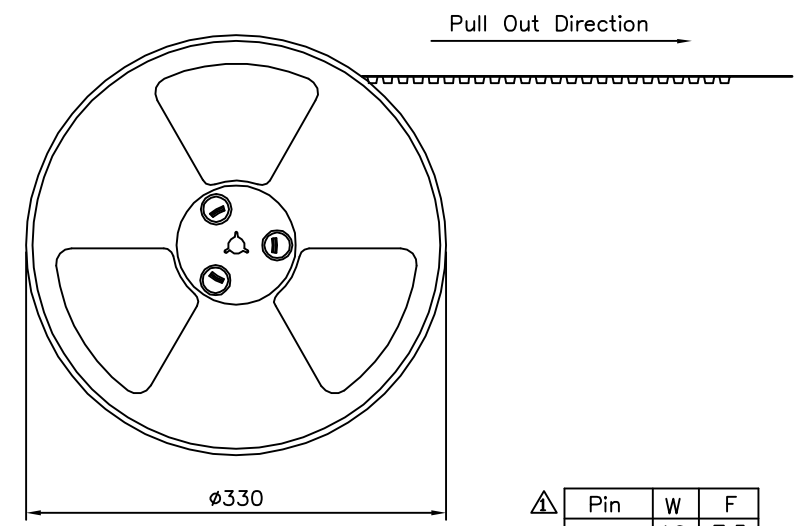
All Dimensions Meet EIA-481-3 Requirements  
 Material:WH Conductive Polystyrene Alloy 100% Recyclable  
 Component Load Per 13" Reel:1000 PCS  
 Need Vacuum Pack  
 RoHS Compliant



For Reel Width(Dimension W)16,24mm Single Row Hole



For Reel Width(Dimension W)32,44,56mm Double Rows Hole



Pin	W	F
10~18	16	7.5
20~30	24	11.5
32~40	32	14.2
50~70	44	20.2
80~100	56	26.2

**4UCON** 元化興業股份有限公司  
 4UCON TECHNOLOGY INC.

DRAWING No.		APPROVED BY		UNLESS OTHERWISE SPECIFIED TOLERANCES ARE .X ±0.20 .XX ±0.15
19732		MEI		
		CHECKED BY HZF		
		DRAWING BY WSS		UNIT mm
SCALE	NONE	REV.	A1	

NO.	REV.	REVISIONS	CHK	DATE
△ A1		Modify Data	HZF	08/09/2011
△ A0		NEW RELEASE	HZF	01/08/2009