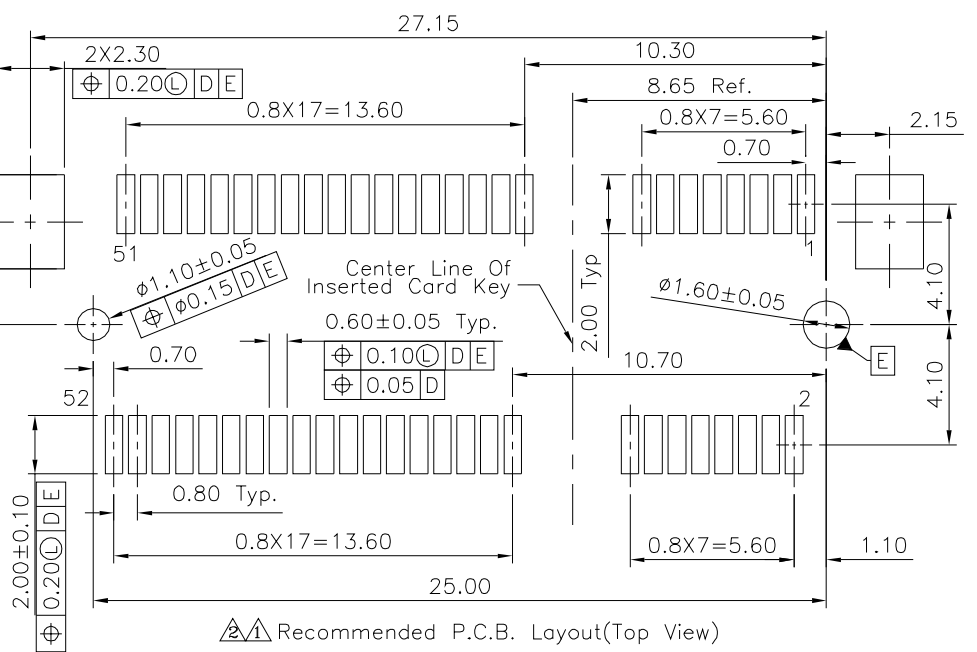
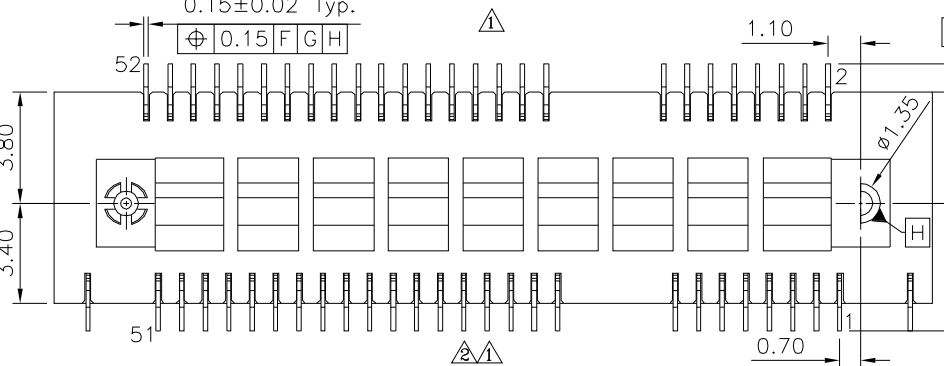
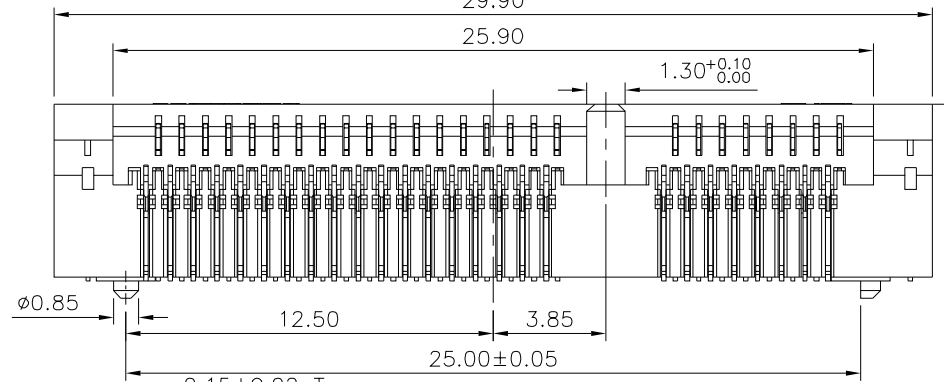
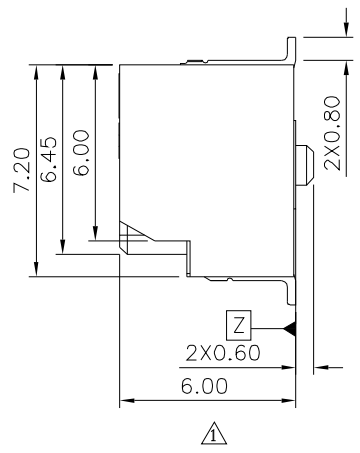
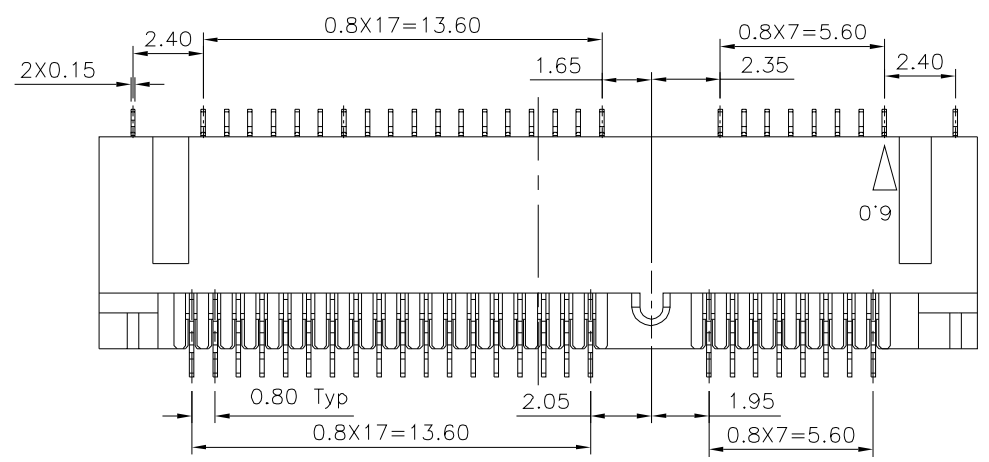


**SPECIFICATION**  
 Current Rating:0.5A  
 Voltage Rating:AC 35V/Pin  
 Withstand Voltage:200V AC RMS For 1 Minute  
 Contact Resistance:50 Milliohms Max.  
 Insulation Resistance:500 Megaohms Min.  
 Operation Temperature Range:-40°C~+80°C  
 Contact:Bronze,Gold Plated On Contact Area,  
 Gold Flash On Solder Tails,Over Nickel  
 Insulator:LCP(UL94V-0),Black  
 Solderails To Be Within 0.05 Upward And 0.2  
 Downward From Z-Datum Place,And Coplanality  
 Of Solderails To Be Within 0.10 Measurement  
 Point Is Solderails Tip  
 RoHS Compliant



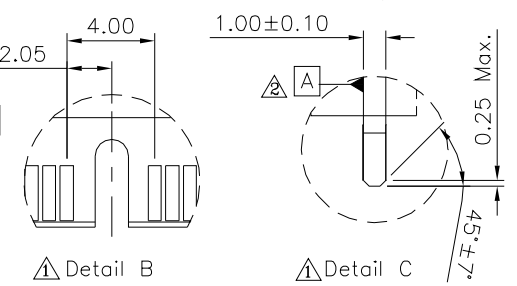
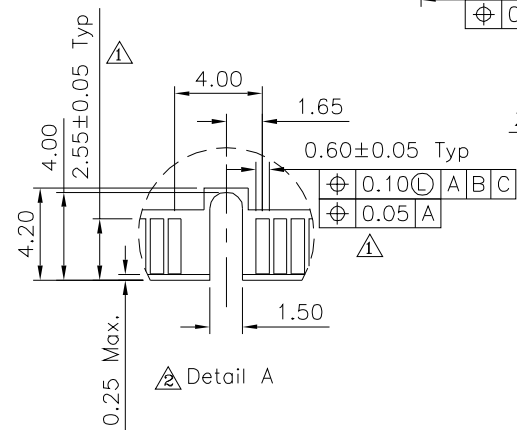
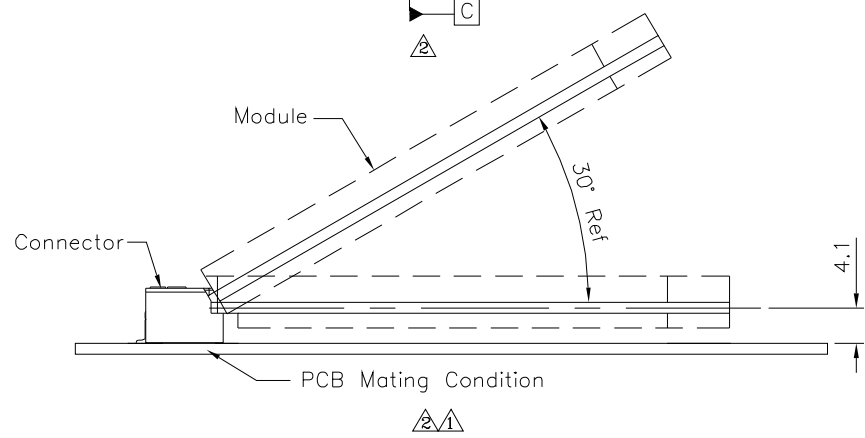
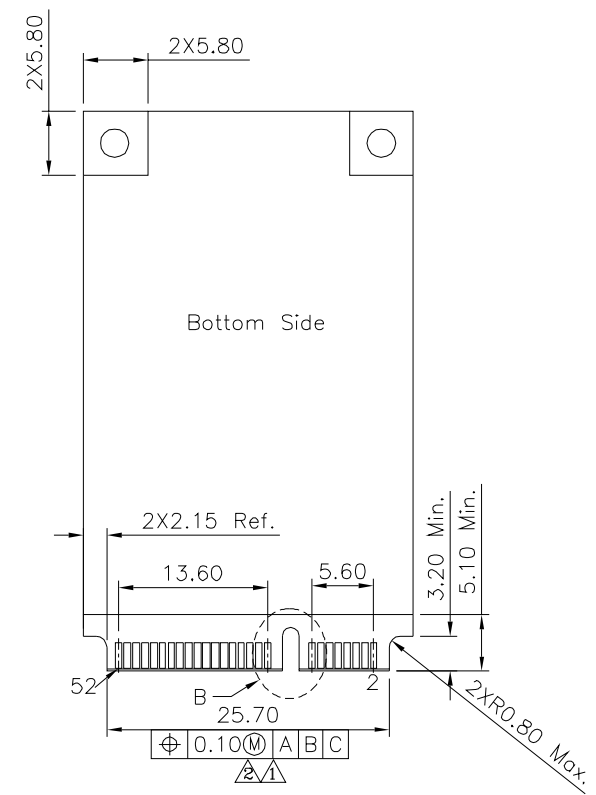
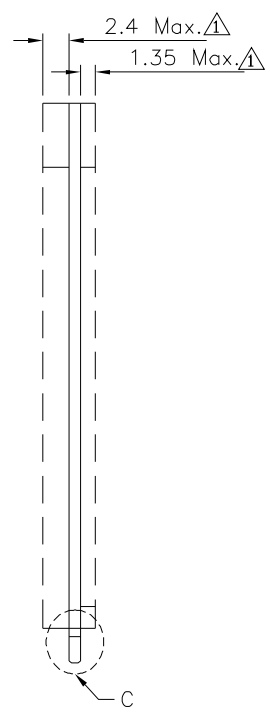
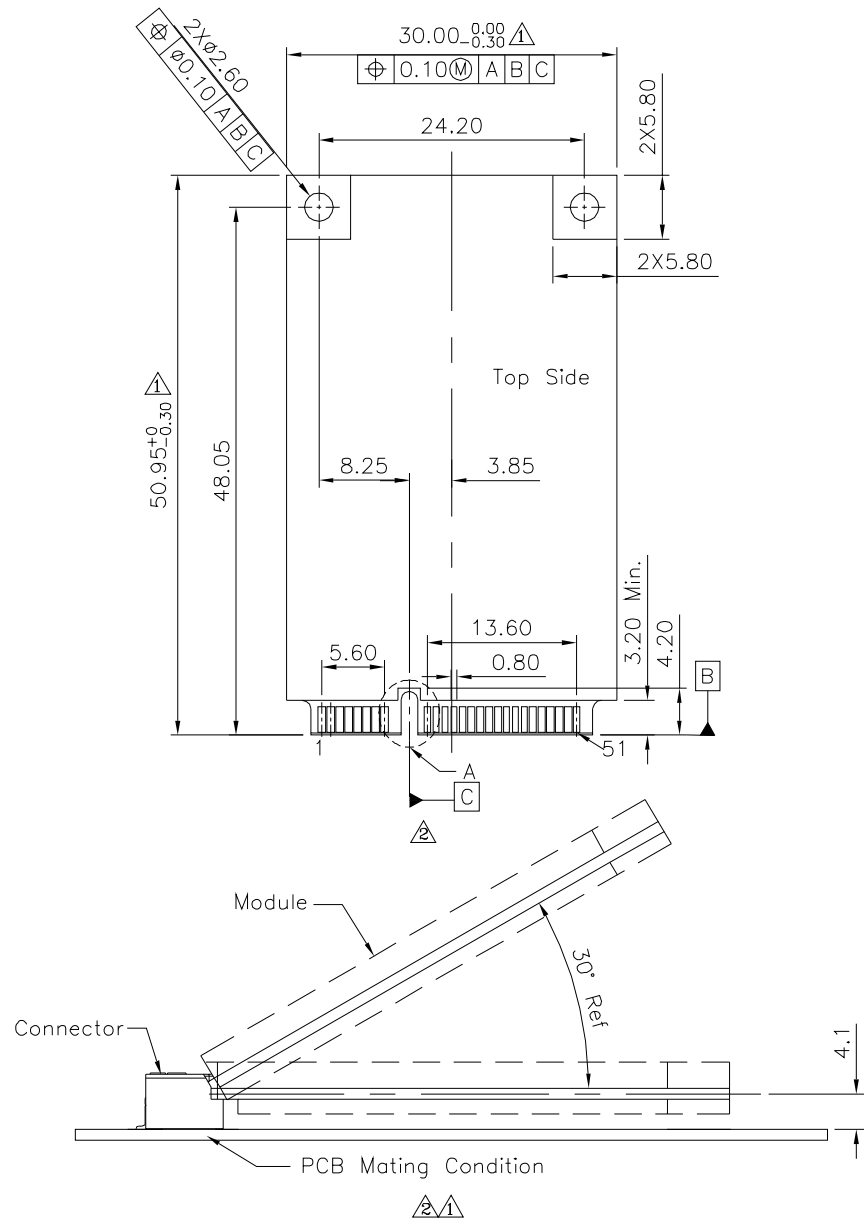
**4UCON** 元化興業股份有限公司  
 4UCON TECHNOLOGY INC.

DRAWING No. 19985  
 SCALE NONE

APPROVED BY MEI  
 CHECKED BY HZF  
 DRAWING BY CYP  
 REV. A2

UNLESS OTHERWISE SPECIFIED TOLERANCES ARE  
 X. ±0.30  
 .X ±0.20 X\* ±2.00°  
 .XX ±0.10 .X\* ±1.00°  
 .XXX ±0.05 .XX\* ±0.50°  
 UNIT mm

NO.	REV.	REVISIONS	CHK	DATE
A2		Modify Data	HZF	02/16/2017
A1		Modify Data	HZF	07/16/2013
A0		NEW RELEASE	HZF	03/27/2010



**4UCON** 元化興業股份有限公司  
4UCON TECHNOLOGY INC.

DRAWING No.  $\triangle\triangle$   
19985

APPROVED BY MEI  
CHECKED BY HZF  
DRAWING BY CYP  
SCALE NONE  
REV. A2

UNLESS OTHERWISE SPECIFIED TOLERANCES ARE  
X. ±0.30  
.X ±0.20 X.\* ±2.00°  
.XX ±0.10 .X.\* ±1.00°  
.XXX ±0.05 .XX.\* ±0.50°  
UNIT mm

NO.	REV.	REVISIONS	CHK	DATE
$\triangle$	A2	Modify Data	HZF	02/16/2017
$\triangle$	A1	Modify Data	HZF	07/16/2013
$\triangle$	A0	NEW RELEASE	HZF	03/27/2010