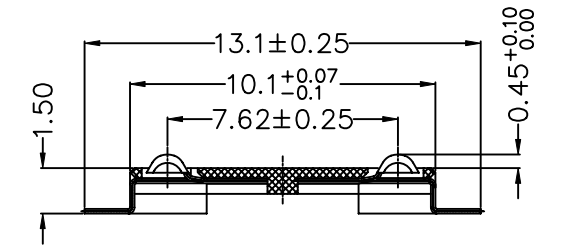
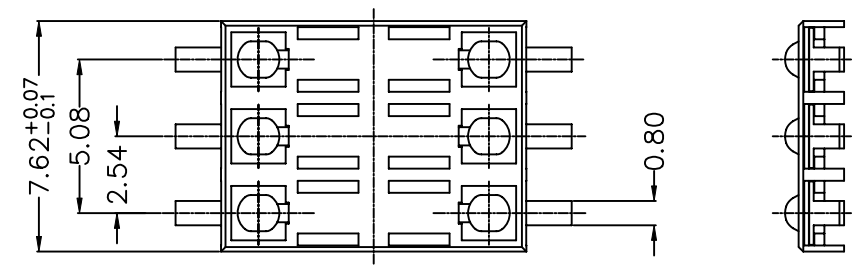


Reference P.C.B. Layout(Tolerance: .XX±0.10mm)

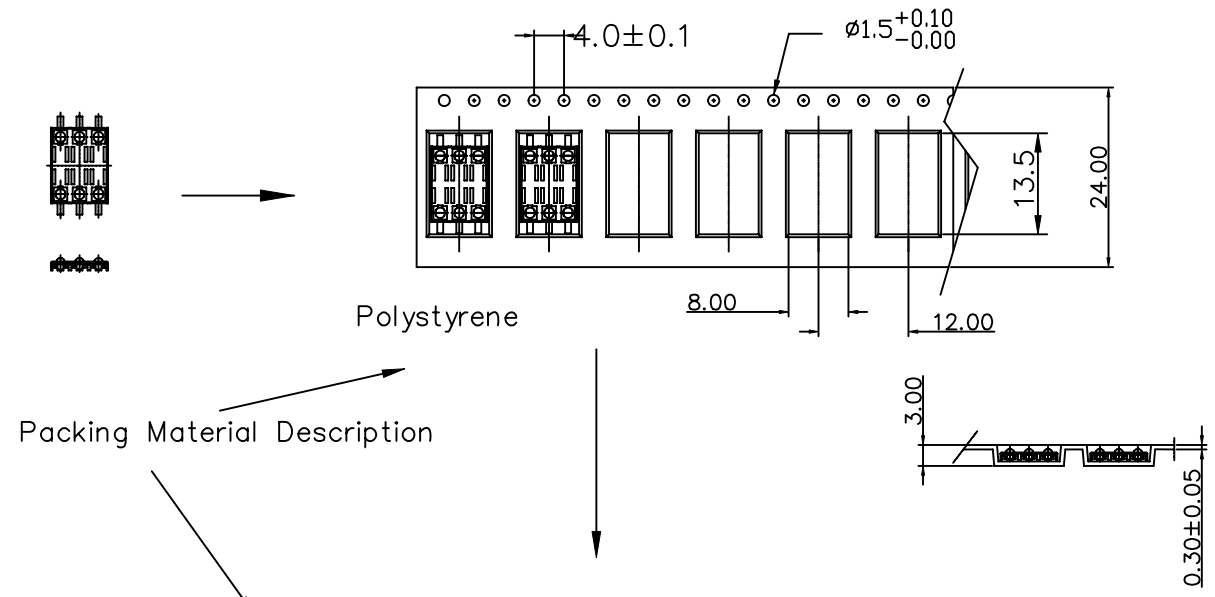
- Specifications:
- General Information
 - Contact Principle: Friction Technology
 - Mounting Type: SMT
 - Data Contact Material: Copper Alloy
 - Insulator Material: Thermoplastic UL94V-0
 - Data Contacts Plating: Gold Plated Over Nickel
 - Electrical Specification
 - Contact Resistance: 50m Ohms Max.
 - Insulator Resistance: 1000M Ohms Min.
 - Dielectrical Withstanding Voltage: 500V AC
 - Voltage Rating: 30V AC R.M.S. 1 Min(Sea Level)
 - Current Rating: 1A Max,10uA Min.
 - Mechanical Specification
 - Contact Force: 0.2N~0.6N
 - Durability: 10,000 Cycles Min.
 - Environmental Specification
 - Operating Temperature: -20°C~+70°C
 - Operating Humidity: 20%~95% RH
 - Solderability: Manual Soldering: 360°C 3 Sec. Max.
 - Vapor Phase: 215°C 30 Sec. Max.
 - IR Re-flow: 260°C 15 Sec. Max.
- RoHS compliant



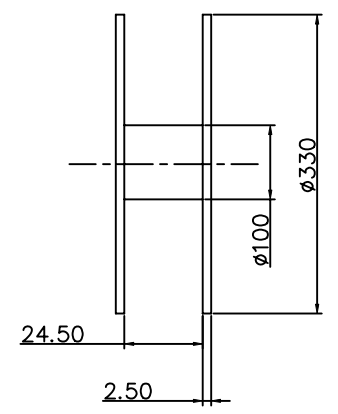
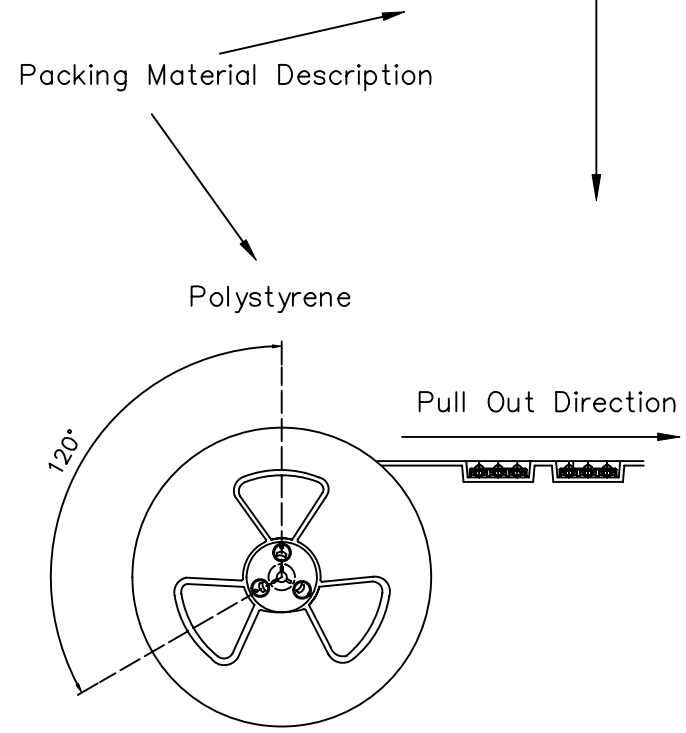
4UCON 元化興業股份有限公司
4UCON TECHNOLOGY INC.

DRAWING No.		APPROVED BY		UNLESS OTHERWISE SPECIFIED TOLERANCES ARE
20009		MEI		
		CATHY		
		DRAWING BY		.X ±0.38
		QXQ		.XX ±0.25
				ANG. ±1°
SCALE	NONE	REV.	AO	UNIT mm

NO.	REV.	REVISIONS	CHK	DATE
△	AO	NEW RELEASE	QXQ	11/03/2010



Specifications:
 Reel Size : 330*24.5 mm
 QTY : 2000Pcs/Reel
 RoHS Compliant



4UCON 元化興業股份有限公司
 4UCON TECHNOLOGY INC.

DRAWING No.		APPROVED BY		UNLESS OTHERWISE SPECIFIED TOLERANCES ARE .X ±0.25 .XX ±0.10 ANG.	
20009		MEI			
		CATHY			
		DRAWING BY		UNIT	
		QXQ		mm	
SCALE	NONE	REV.	A0		

NO.	REV.	REVISIONS	CHK	DATE
△ A0		NEW RELEASE	QXQ	11/03/2010