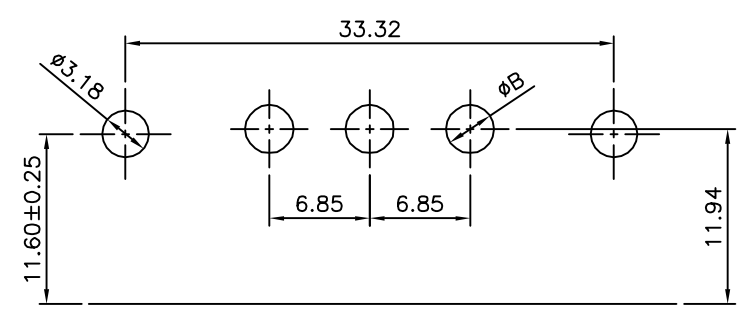
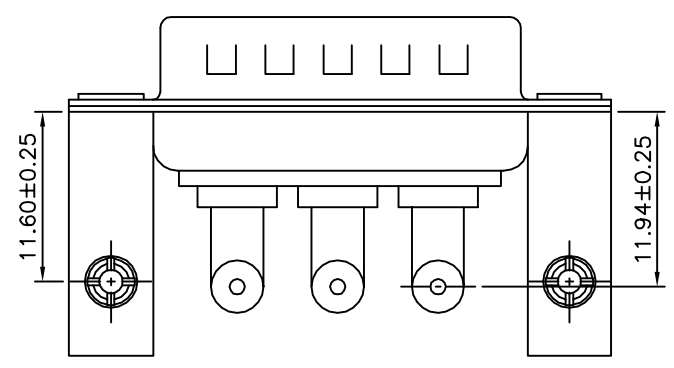
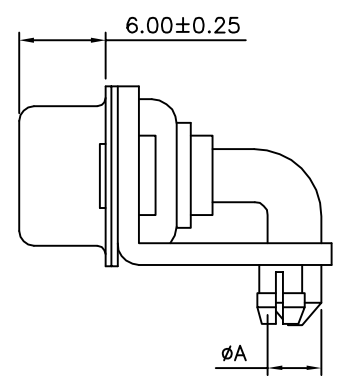
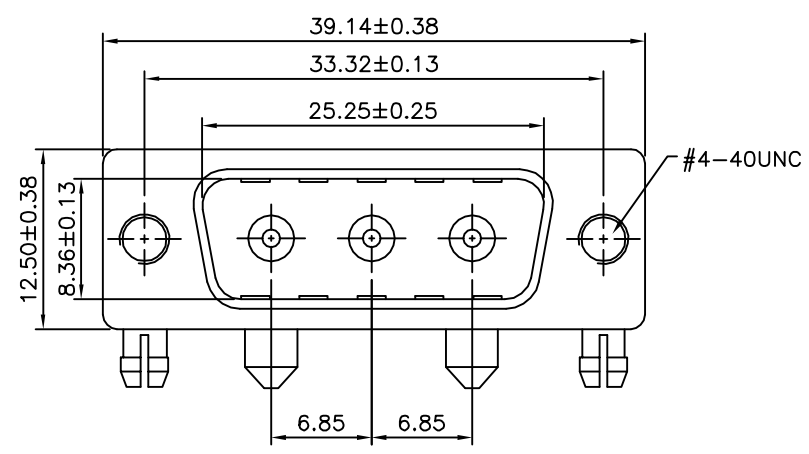


SPECIFICATION

Signal Contact Current Rating:5 Amp
 Power Contact Current Rating:10~40 Amp
 Dielectric Withstanding Voltage:1000V AC Per Minute
 Contact Resistance:10 Milliohms Max.
 Insulation Resistance:5000 Megaohms Min.
 Operation Temperature:-55°C~+125°C
 Insulator:PBT+30%G.F.(UL94V-0)
 Signal Contact:Brass,Gold Plated Over Nickel
 Power Contact:Brass,Gold Plated Over Nickel
 Metal Shell:Steel,Tin Plated
 Metal Bracket:Steel,Nickel Plated
 Boardlock:Brass,Nickel Plated
 RoHS Compliant



Recommended P.C.B. Layout

Item No.	Current Rating	φA	φB
20017	20 Amps	2.80	3.28
18498	30 Amps	3.20	3.65

4UCON 元化興業股份有限公司
 4UCON TECHNOLOGY INC.

DRAWING No.		APPROVED BY		UNLESS OTHERWISE SPECIFIED TOLERANCES ARE .X ±0.3 .XX ±0.3 ANG. ±2°
20017		EMILY		
		HZF		
		DRAWING BY		
		SONG		
SCALE	NONE	REV.	A0	UNIT mm

NO.	REV.	DESCRIPTION	CHK	DATE
△ A0		NEW RELEASE	HZF	08/01/2012
		REVISIONS		