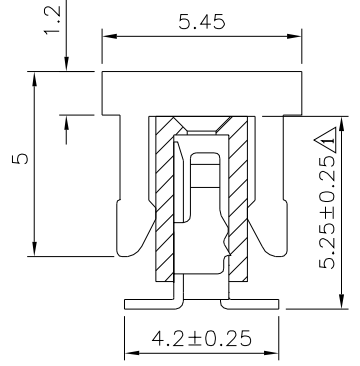
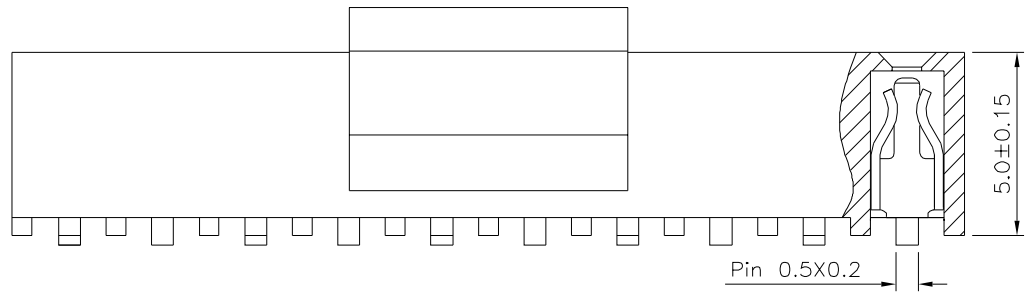
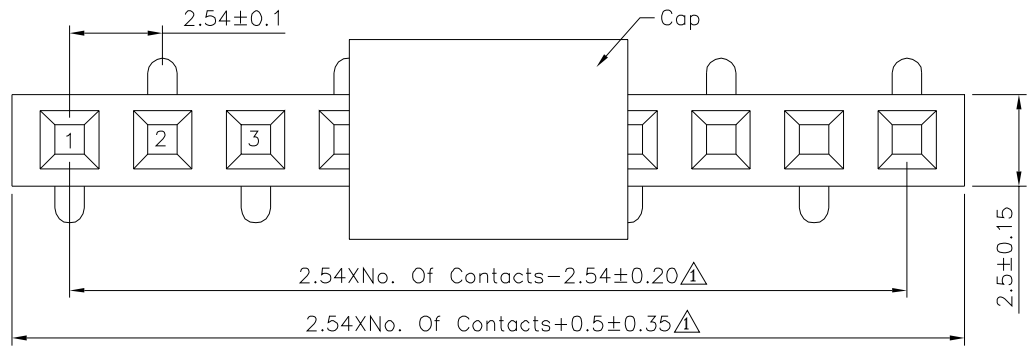


Recommended P.C.B. Layout (Top View)
(PCB Board Tolerance ±0.05)



SPECIFICATION

Current Rating: 3A
 Withstand Voltage: 1000V AC
 Contact Resistance: 20 Milliohms Max.
 Insulation Resistance: 1000 Megohms Min.
 Operation Temperature: -40°C ~ +105°C
 Housing: PA6T (UL94V-0), Black
 Contact: Phosphor Bronze, Gold Flash Over Nickel
 RoHS Compliant

4UCON 元化興業股份有限公司
 4UCON TECHNOLOGY INC.

DRAWING No.		APPROVED BY		UNLESS OTHERWISE SPECIFIED TOLERANCES ARE X. ±0.25 X.* ±2* .X ±0.20 .X* ±1.5* .XX ±0.15 .XX* ±1* .XXX ±0.10 .XXX* ±0.5* UNIT mm
20068		MEI		
SCALE NONE		CHECKED BY HZF		
REV.		DRAWING BY CYP		NO. REV.
A2		A2		REVISIONS
				CHK
				DATE

△ A2	Modify Data	HZF	04/08/2016
△ A1	Modify Data	HZF	10/26/2015
△ A0	NEW RELEASE	HZF	09/30/2013