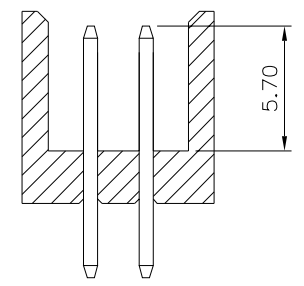
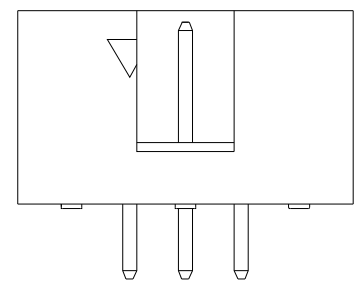
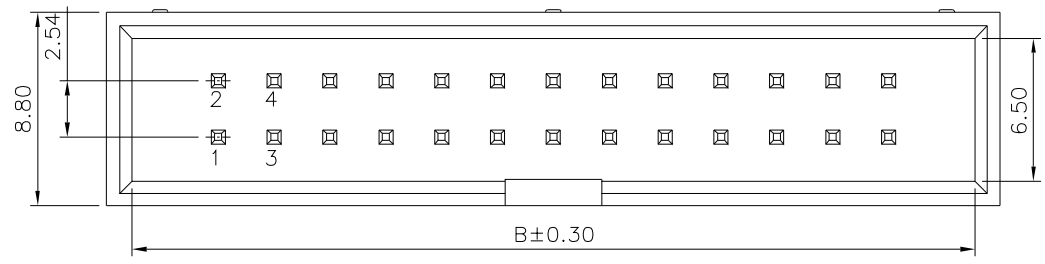


Recommended P.C.B. Layout

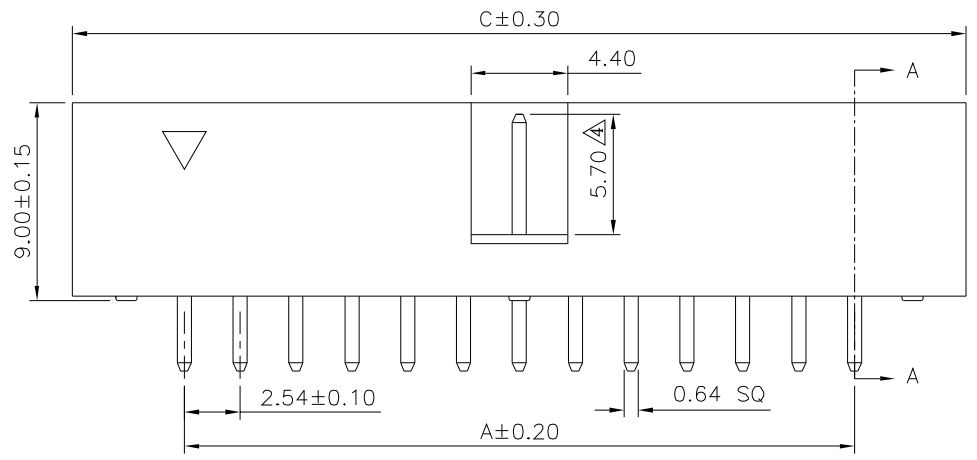


Section A-A

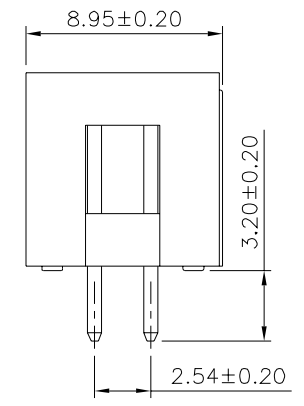
SPECIFICATION
 Current Rating: 3 Amp
 Withstand Voltage: 500V AC/Minute
 Contact Resistance: 20 Milliohms Max.
 Insulation Resistance: 1000 Megaohms Min.
 Operation Temperature: -40°C ~ +105°C
 Insulator: PA9T+30%G.F.(UL94V-0), Black
 Contact: Brass
 Gold Flash Over All, Over Nickel
 RoHS Compliant



06P



08~64P



Pin	A	B	C	Pin	A	B	C
06	5.08	12.94	15.24	26	30.48	38.34	40.64
08	7.62	15.48	17.78	30	35.56	43.42	45.72
10	10.16	18.02	20.32	32	38.10	45.96	48.26
12	12.70	20.56	22.86	34	40.64	48.50	50.80
14	15.24	23.10	25.40	40	48.26	56.12	58.42
16	17.78	25.64	27.94	44	53.34	61.20	63.50
18	20.32	28.18	30.48	50	60.96	68.82	71.12
20	22.86	30.72	33.02	60	73.66	81.52	83.82
22	25.40	33.26	35.56	64	78.74	86.60	88.90
24	27.94	35.80	38.10				

4UCON 元化興業股份有限公司
 4UCON TECHNOLOGY INC.

DRAWING No.		APPROVED BY		UNLESS OTHERWISE SPECIFIED TOLERANCES ARE .X ± 0.30 .XX ± 0.20 ANG.
20129		EMILY		
		CHECKED BY HZF		
SCALE NONE		DRAWING BY HAO		UNIT mm
REV.	B1	REV.		ANG.

NO.	REV.	REVISIONS	CHK	DATE
△	B1	Modify Data	HZF	10/23/2015
△	B0	Modify Data	HZF	12/21/2014
△	B0	NEW RELEASE	HZF	12/21/2014