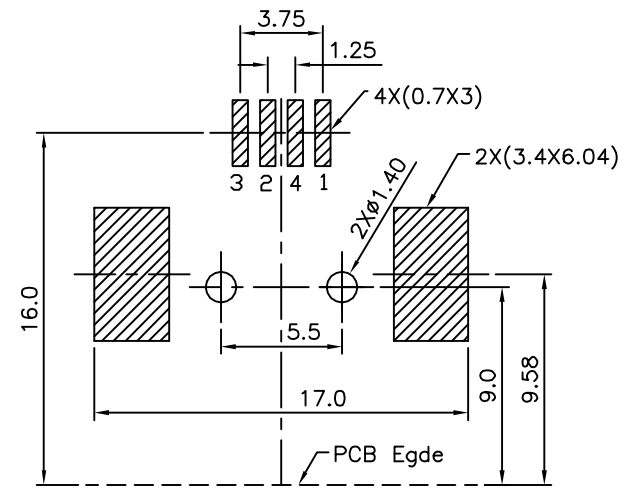
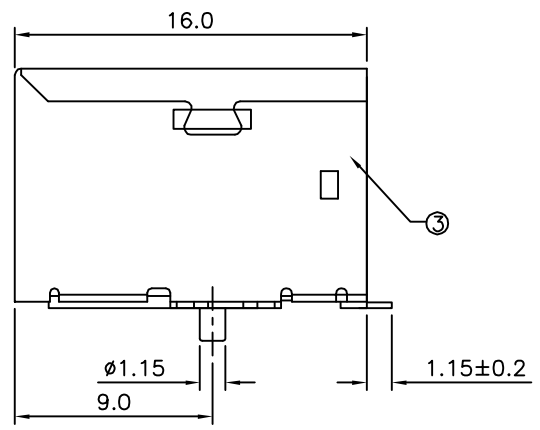
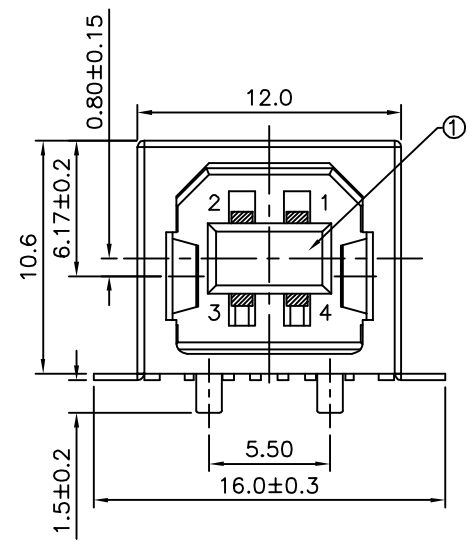
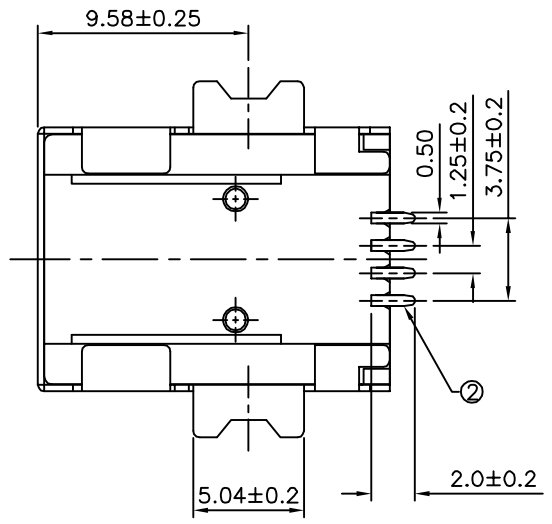


**SPECIFICATION**

Rated Voltage And Current:1.5A At 250V AC Min.  
 ⚠ Withstand Voltage:750V AC(RMS) For 1 Minute(Rev. 1.1)  
 500V AC(RMS) For 1 Minute(Rev. 2.0)  
 Contact Resistance:30 Milliohms Max.  
 Insulation Resistance:1000 Megaohms Min.  
 At 500V DC  
 Durability(Life Test):1500 Cycles  
 Insertion Force:35N Max.  
 Extraction Force:10N Min.  
 RoHS Compliant



Recommended P.C.B. Layout  
(Component Side)



No.	Name	Material	Q'ty	Remark
1	Housing	PA9T+G.F.	1	Black
2	Terminal	Phosphor Bronze	4	Gold Flash On Contact Area, Tin Plated On Solder Tails, Over Nickel
3	Shell	Brass	1	Nickel Plated

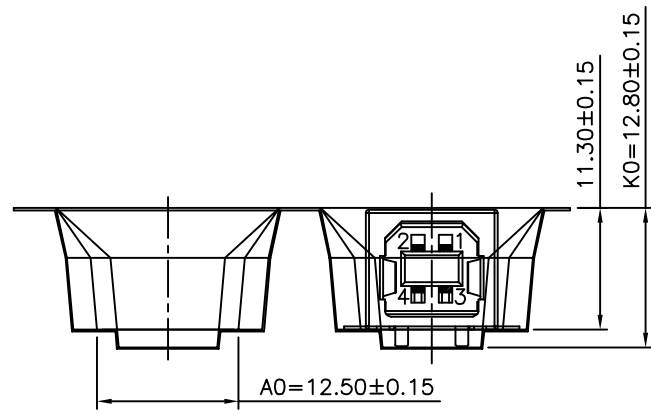
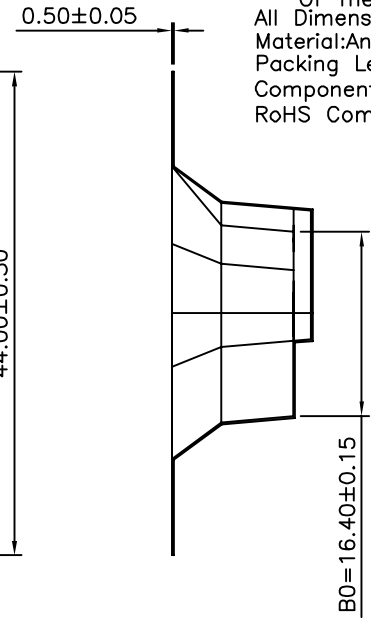
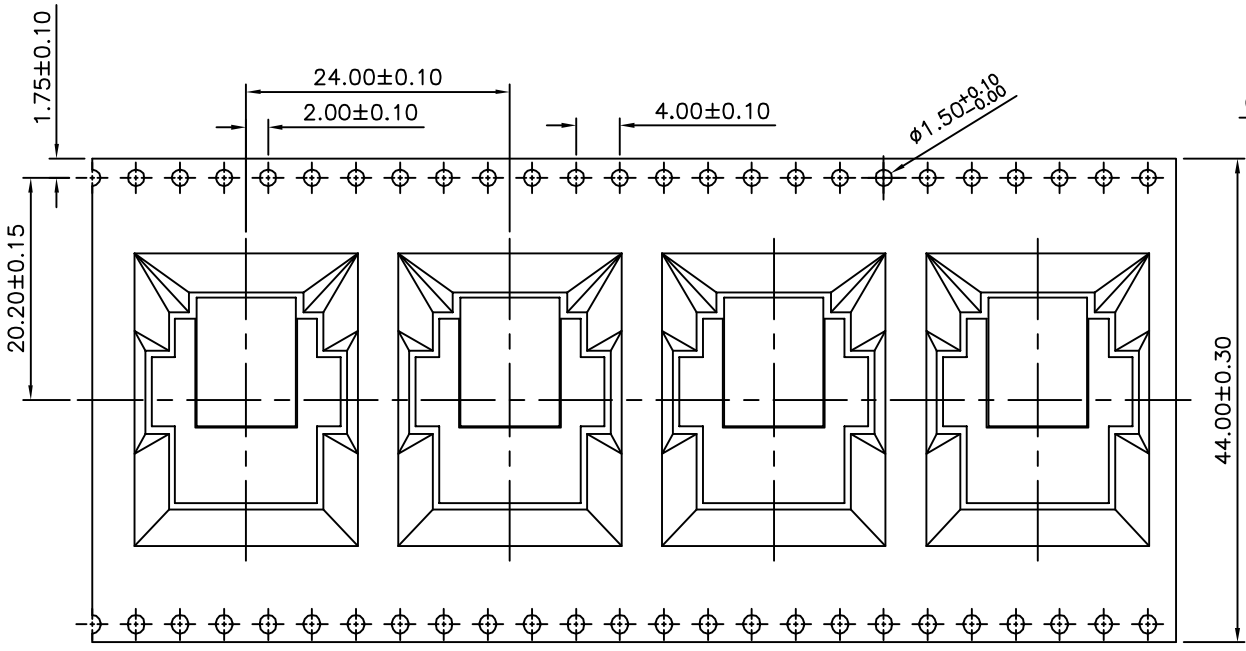
**4UCON** 元化興業股份有限公司  
4UCON TECHNOLOGY INC.

DRAWING No.		APPROVED BY		UNLESS OTHERWISE SPECIFIED TOLERANCES ARE X. ±0.38 .X ±0.25 .XX ±0.13 .XXX ±0.05
20326		EMILY		
		CHECKED BY		
		HZF		
		DRAWING BY		
		SONG		
SCALE	NONE	REV.	A1	UNIT mm

NO.	REV.	REVISIONS	CHK	DATE
⚠	A1	Modify Spec.	HZF	06/26/2014
⚠	A0	NEW RELEASE	HZF	11/15/2011

**SPECIFICATION**

10 Sprocket Hole Pitch Cumulative Tolerance  $\pm 0.20\text{mm}$   
 Carrier Camber Not To Exceed 1mm In 250mm  
 A0 And B0 Measured On A Plane 0.3mm Above  
 The Bottom Of The Pocket  
 K0 Measured From A Plane On The Inside Bottom  
 Of The Pocket To The Surface Of The Carrier  
 All Dimensions Meet EIA-481-2-D Requirements  
 Material: Anti-Static Polystyrene, Black  
 Packing Length Per 13" Reel: 5.6 Meters  
 Component Load Per 13" Reel: 200 PCS  
 RoHS Compliant



**4UCON** 元化興業股份有限公司  
 4UCON TECHNOLOGY INC.

DRAWING No.		APPROVED BY		UNLESS OTHERWISE SPECIFIED TOLERANCES ARE .X $\pm 0.38$ .XX $\pm 0.25$ ANG.
20326		EMILY		
		CHECKED BY HZF		
		DRAWING BY SONG		
SCALE	NONE	REV.	A1	UNIT mm

NO.	REV.	REVISIONS	CHK	DATE
△	A1	Modify Spec.	HZF	06/26/2014
△	A0	NEW RELEASE	HZF	11/15/2011