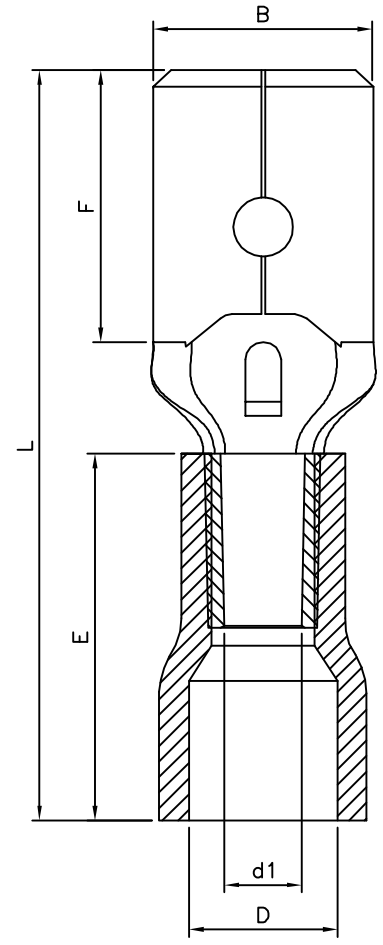


SPECIFICATION
 Voltage Rating: 300V Max. At 75°C
 Current:

AWG	22	20	18	16
Amp Max.	3	4	7	10

Insulator: PVC
 Material: Brass, Tin Plated Over Nickel
 RoHS Compliant



Wire Range AWG/mm ²	Color	Item No.	Nema Tab	B±0.20	F±0.30	L±1.00	E±0.60	D±0.30	d1±0.20
22~16 AWG 0.5~1.5mm ²	Red	20345	0.8X2.8	2.8	7.8	20.5	10.0	4.0	1.7

4UCON 元化興業股份有限公司
 4UCON TECHNOLOGY INC.

DRAWING No.		APPROVED BY		UNLESS OTHERWISE SPECIFIED TOLERANCES ARE .X ±0.38 .XX ±0.25 ANG.
20345		EMILY		
		CHECKED BY HZF		
		DRAWING BY GAO		
SCALE	NONE	REV.	A0	UNIT mm

NO.	REV.	REVISIONS	CHK	DATE
△ A0		NEW RELEASE	HZF	01/12/2012