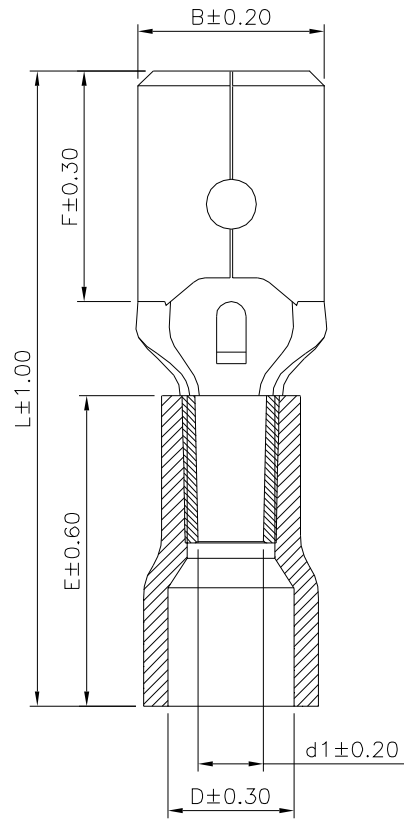


SPECIFICATION

Voltage Rating:300V Max. At 105°C
Current:

AWG	22	20	18	16	14	12	10
Amp Max.	3	4	7	10	15	20	24

Insulator:PVC
Material:Brass,Tin Plated
Material Thickness:t=0.4±0.05
RoHS Compliant



Wire Range AWG/mm ²	Color	AUK P/N	Nema Tab	B	F	L	E	D	d1
22~16 AWG 0.5~1.5mm ²	Red	20347	0.8X6.4	6.35	7.8	21.2	10.0	4.0	1.7

4UCON 元化興業股份有限公司
4UCON TECHNOLOGY INC.

DRAWING No.
20347

APPROVED BY
MEI
CHECKED BY
HZF
DRAWING BY
CYP

UNLESS OTHERWISE
SPECIFIED
TOLERANCES ARE
.X ±0.38
.XX ±0.25
ANG.

SCALE NONE REV. A0 UNIT mm



NO.	REV.	REVISIONS	CHK	DATE
△ A0		NEW RELEASE	HZF	04/27/2017