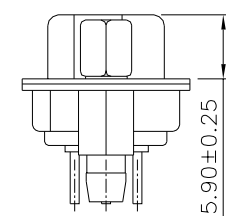
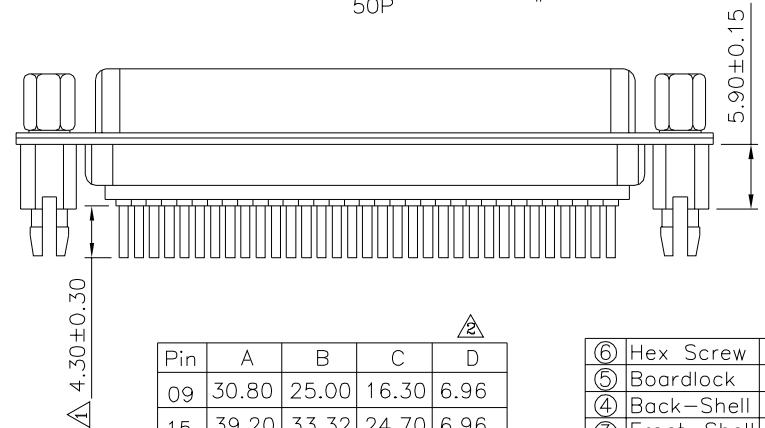
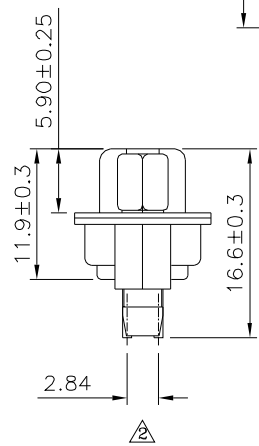
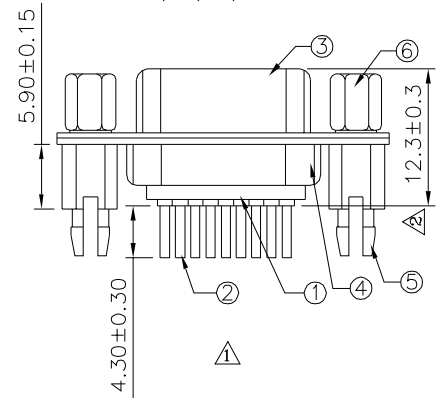
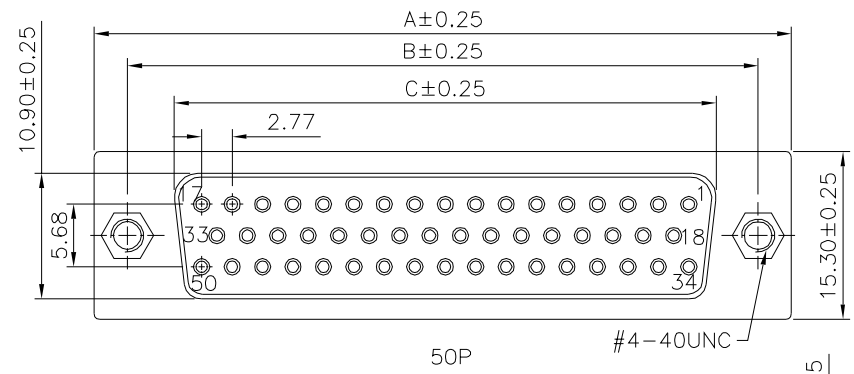
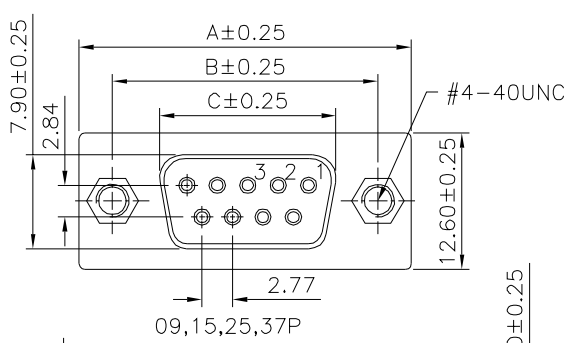


△ SPECIFICATION
 Current Rating: 1A Max.
 Dielectric Withstanding Voltage: 500V AC For 1 Minute
 Contact Resistance: 30 Milliohms Max.
 Insulation Resistance: 1000 Megaohms Min. At DC 500V
 Temperature Range: -55°C ~ +105°C
 RoHS Compliant



Pin	A	B	C	D
09	30.80	25.00	16.30	6.96
15	39.20	33.32	24.70	6.96
25	53.05	47.04	38.40	6.90
37	69.40	63.50	54.80	6.82
50	67.10	61.00	52.20	8.34

No.	Description	Q'ty	Material	Remark
⑥	Hex Screw	2	Brass	Nickel Plated
⑤	Boardlock	2	Brass	Tin Plated
④	Back-Shell	1	Steel	Tin Plated
③	Front-Shell	1	Steel	Tin Plated
②	Contact		Brass	Gold Plated On Contac Area, Tin Plated On Solder Tails, Over Nickel
①	Housing	2	PBT, UL94V-0	Blue

4UCON 元化興業股份有限公司
 4UCON TECHNOLOGY INC.

DRAWING No. 20356
 APPROVED BY MEI
 CHECKED BY HZF
 DRAWING BY CYP
 SCALE NONE REV. A2

UNLESS OTHERWISE SPECIFIED TOLERANCES ARE
 .X ±0.30
 .XX ±0.20
 .XXX ±0.10
 ANG. ±1°

NO.	REV.	REVISIONS	CHK	DATE
△2	A2	Modify Data	HZF	12/08/2023
△1	A1	Modify Data	HZF	04/02/2015
△0	A0	NEW RELEASE	HZF	03/18/2012