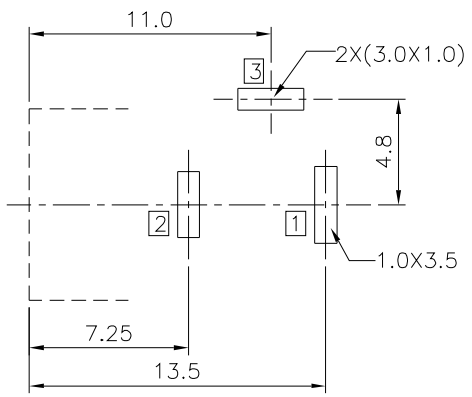
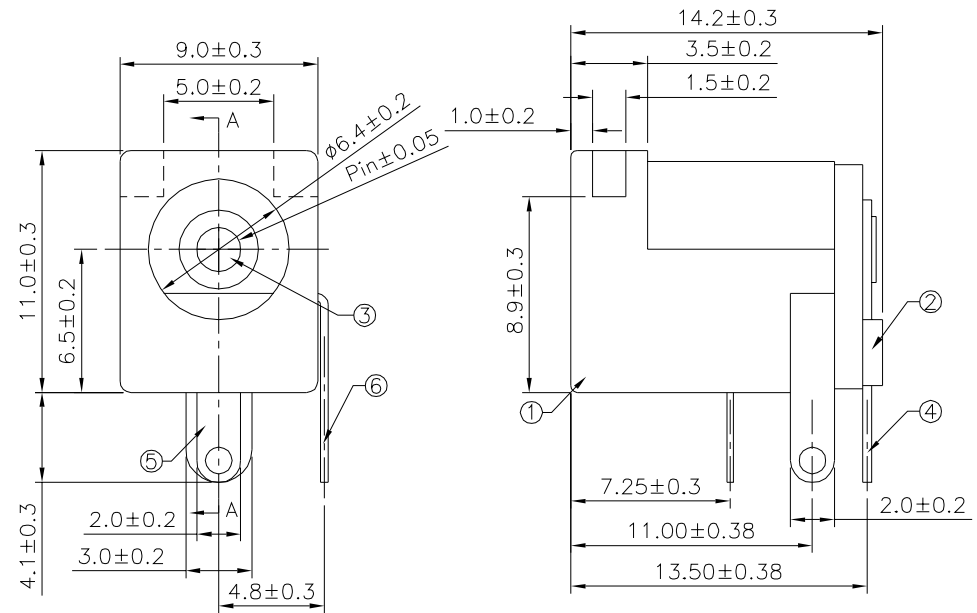
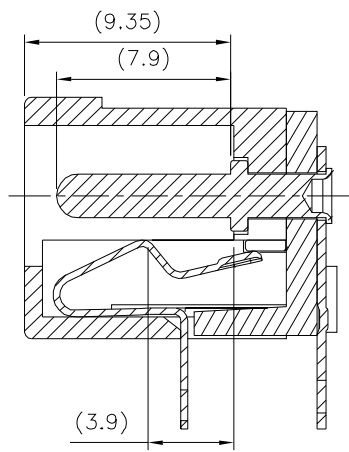


**SPECIFICATION**

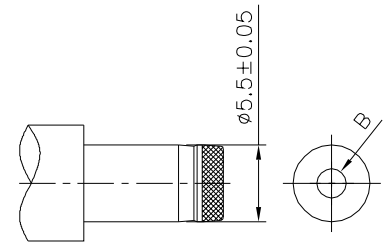
Rating:DC 48V 6.5A  
 Contact Resistance:30 Milliohms Max.  
 After Test 50 Milliohms Max.  
 Insulation Resistance:100 Megaohms Min. (DC 500V)  
 After Test:50 Megaohms Min.  
 Withstand Voltage:500V AC  
 Operation Temperature Range:-20°C~+70°C  
 RoHS Compliant



Recommended P.C.B. Layout(Bottom View)  
 (PCB Board Tolerance±0.05)



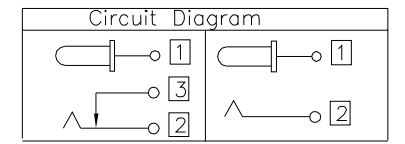
Section A-A



DC Mate Plug

Pin	φ2.0	φ2.5
B	φ2.05 <sup>+0.10</sup> <sub>-0.00</sub>	φ2.55 <sup>+0.10</sup> <sub>-0.00</sub>

Pin Diameter	Pin Option	Item No.
Pin φ2.0	3 Pin	18741
Pin φ2.5	3 Pin	20491
Pin φ2.0	2 Pin	22415



□: Terminal No. ○:Item No.

No.	Description	Q'ty	Material	Remark
⑥	Shunt Terminal	3	1 Brass	Tin Plated
⑤	Tip Spring	2	1 Phosphor Bronze	Tin Plated
④	Center Pin Terminal	1	1 Brass	Tin Plated
③	Center Pin	1	1 Brass	CuSn Plated
②	Cover	1	1 PBT	—
①	Housing	1	1 PBT	Black
No.	Description	Q'ty	Material	Remark

**4UCON** 元化興業股份有限公司  
 4UCON TECHNOLOGY INC.

DRAWING No.  $\Delta$   
 20491

APPROVED BY MEI  
 CHECKED BY HZF  
 DRAWING BY CYP

SCALE NONE REV. BO

UNLESS OTHERWISE SPECIFIED TOLERANCES ARE  
 .X ±0.38 X.\* ±5\*  
 .XX ±0.30 .X.\* ±3\*  
 .XXX ±0.15 .XX.\* ±2\*  
 UNIT mm

NO.	REV.	REVISIONS	CHK	DATE
$\Delta$	BO	Modify Data	HZF	03/07/2022
$\Delta$	BO	NEW RELEASE	HZF	03/07/2022