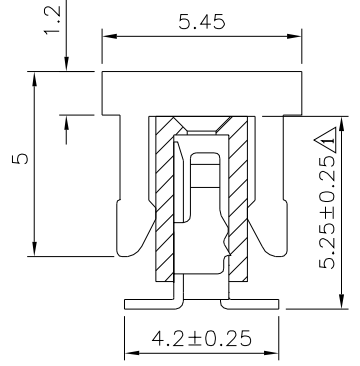
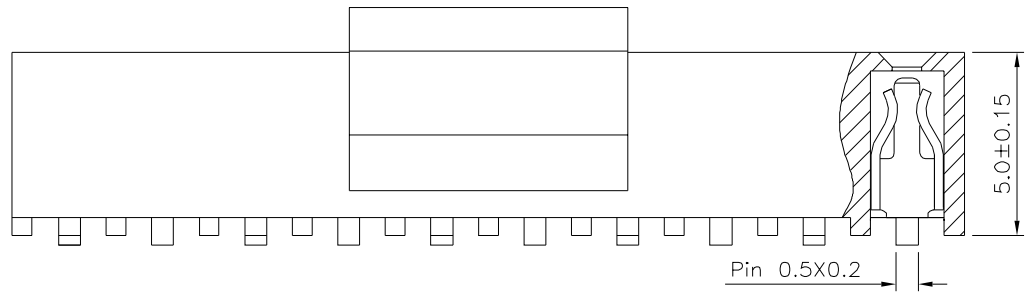
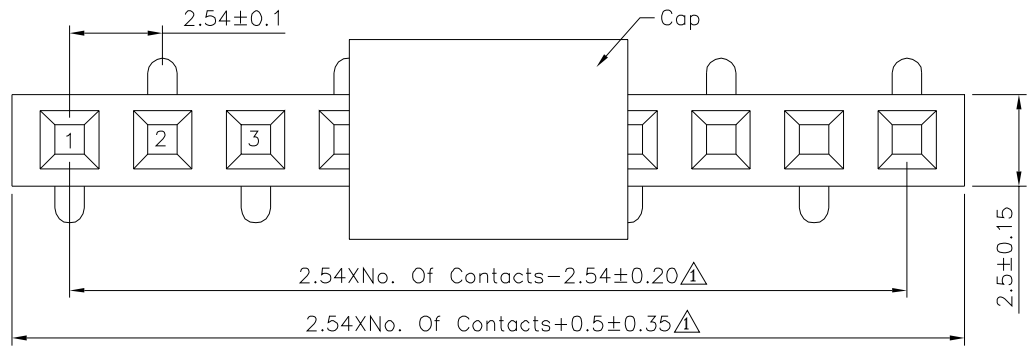


△ Recommended P.C.B. Layout(Top View)
(PCB Board Tolerance±0.05)



SPECIFICATION

Current Rating:3A
 Withstand Voltage:1000V AC
 Contact Resistance:20 Milliohms Max.
 Insulation Resistance:1000 Megaohms Min.
 Operation Temperature:-40°C~+105°C
 Housing:PA6T(UL94V-0),Black
 △ Contact:Phosphor Bronze,Gold Flash Over Nickel
 RoHS Compliant

4UCON 元化興業股份有限公司
 4UCON TECHNOLOGY INC.

DRAWING No.		APPROVED BY		UNLESS OTHERWISE SPECIFIED TOLERANCES ARE X. ±0.25 X.* ±2* .X ±0.20 .X* ±1.5* .XX ±0.15 .XX* ±1* .XXX ±0.10 .XXX* ±0.5* UNIT mm
20511		MEI		
SCALE NONE		CHECKED BY HZF		
REV. A2		DRAWING BY CYP		NO. REV.

△ A2	Modify Data	HZF	04/08/2016
△ A1	Modify Data	HZF	10/26/2015
△ A0	NEW RELEASE	HZF	09/30/2013
REVISIONS		CHK	DATE