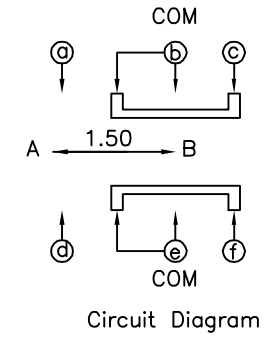
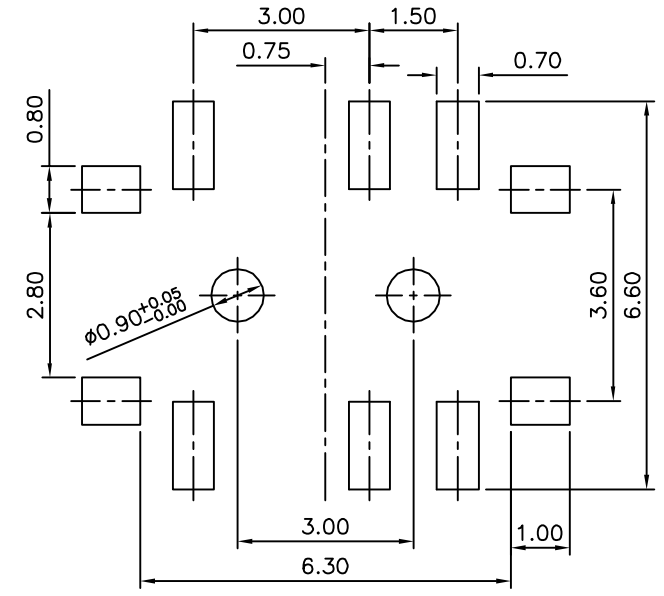
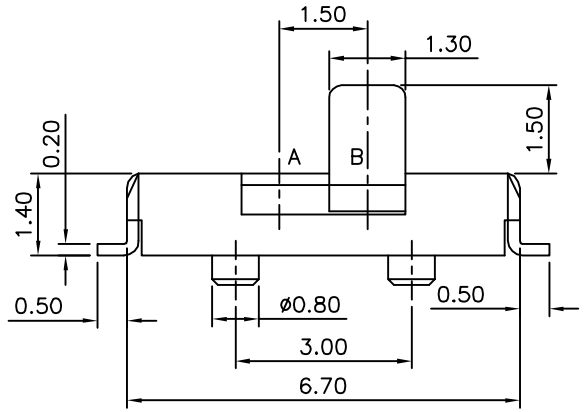
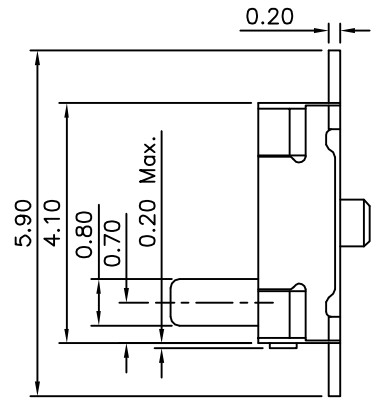
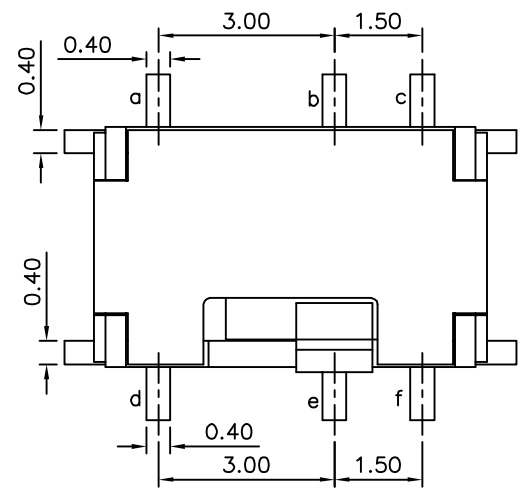


**SPECIFICATION**  
 Current Range:  
     Non-Switching:300mA 4V DC  
     Switching:25mA 24V DC  
 Withstanding Voltage:100V AC 50Hz Or  
   60Hz For 1 Minute  
 Contact Resistance:70 Milliohms Max.(Initial)  
 Insulation Resistance:100 Megaohms Min.  
   At 100V DC,60s±5s  
 Operation Temperature Range:-20°C~+70°C  
 Storage Temperature Range:-40°C~+85°C  
 Operation Force:1.96N±1.47N  
 RoHS Compliant

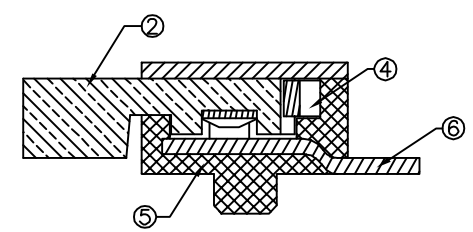
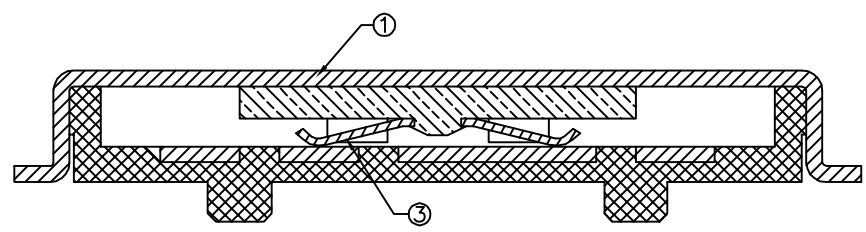


Recommended P.C.B. Layout

**4UCON** 元化興業股份有限公司  
 4UCON TECHNOLOGY INC.

DRAWING No.		APPROVED BY		UNLESS OTHERWISE SPECIFIED TOLERANCES ARE .X ±0.20 .XX ±0.20 ANG.
20513		EMILY		
		CHECKED BY		
		HZF		
		DRAWING BY		
		SONG		
SCALE	NONE	REV.	A0	UNIT
				mm

NO.	REV.	REVISIONS	CHK	DATE
△ A0		NEW RELEASE	HZF	10/09/2013



RoHS Compliant

Item	Description	Q'ty	Material	Remark
①	Cover	1	Nickel Silver	
②	Stem	1	PA46,UL94V-0	Black
③	Contact	1	Copper Alloy	Gold Plated Over Nickel
④	Spring Plate	1	Stainless Steel	
⑤	Base	1	LCP	Black
⑥	Terminal	1	Brass	Gold Plated Over Nickel

**4UCON** 元化興業股份有限公司  
4UCON TECHNOLOGY INC.

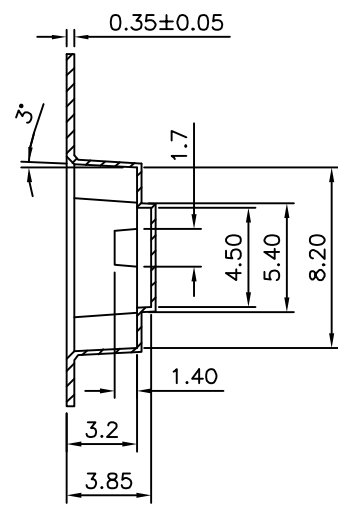
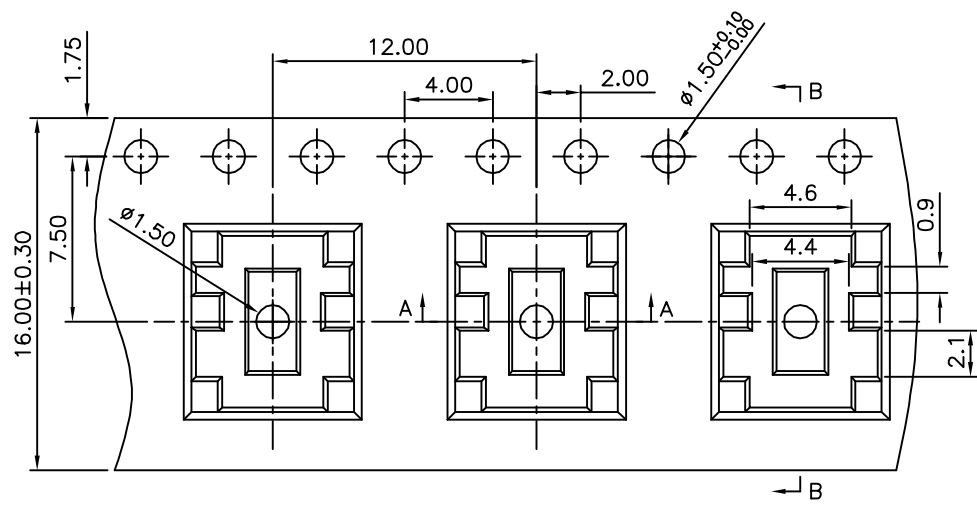
DRAWING No.		APPROVED BY	
20513		EMILY	
		CHECKED BY	
		HZF	
		DRAWING BY	
		SONG	
SCALE	NONE	REV.	A0

UNLESS OTHERWISE SPECIFIED TOLERANCES ARE  
.X ±0.38  
.XX ±0.25  
ANG.

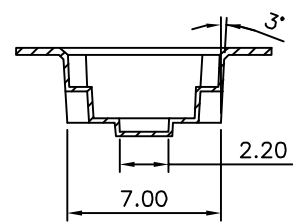
UNIT mm

△ A0	NEW RELEASE	HZF	10/09/2013
NO. REV.	REVISIONS	CHK	DATE

**SPECIFICATION**  
 Pitch Tolerance Over Any 10 Pitch  $\pm 0.20\text{mm}$   
 Material: PS, Black  
 Qty: 1400 PCS/Reel  
 RoHS Compliant



Section B-B



Section A-A

**4UCON** 元化興業股份有限公司  
 4UCON TECHNOLOGY INC.

DRAWING No.		APPROVED BY		UNLESS OTHERWISE SPECIFIED TOLERANCES ARE .X $\pm 0.10$ .XX $\pm 0.10$ ANG.
20513		EMILY		
		CHECKED BY HZF		
DRAWING BY		SONG		UNIT mm
SCALE	NONE	REV.	A0	

NO.	REV.	REVISIONS	CHK	DATE
△ A0		NEW RELEASE	HZF	10/09/2013