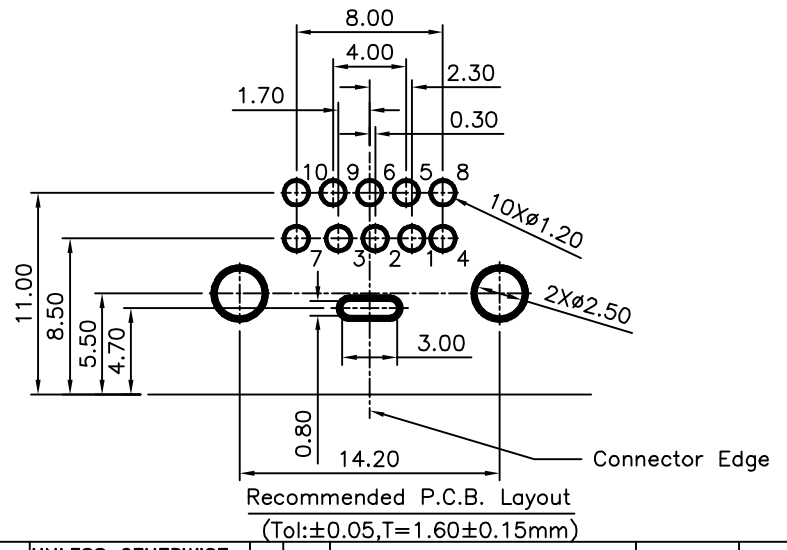
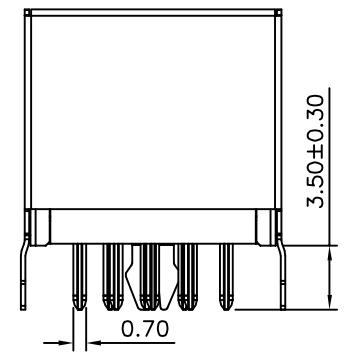
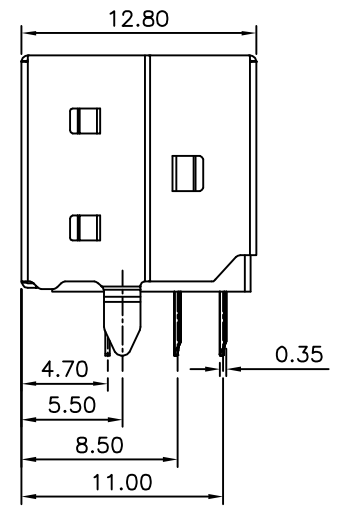
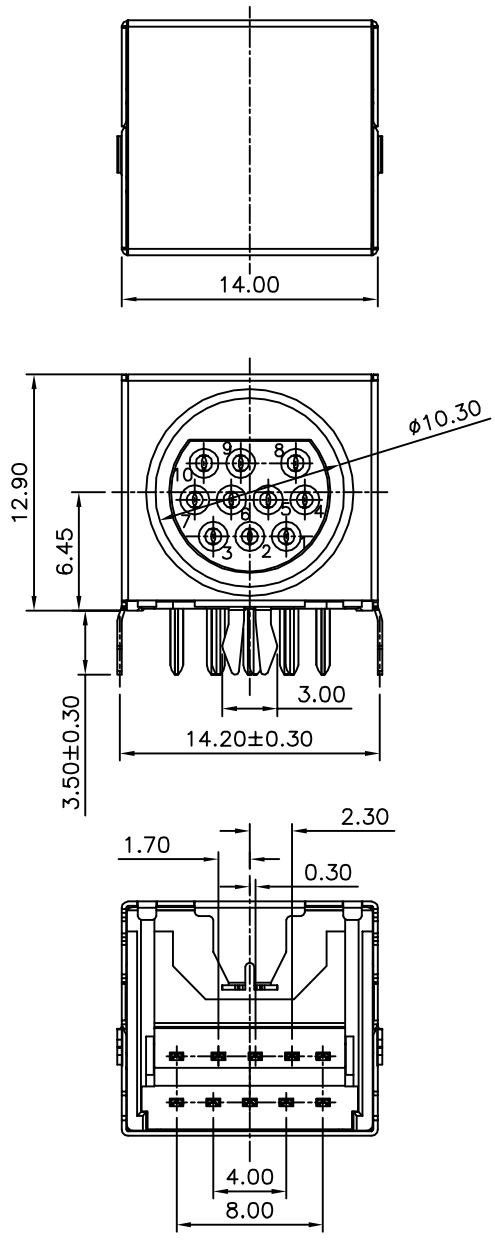


SPECIFICATION

Current:1.0A Max.
 Voltage:30V Max.
 Withstanding Voltage:750V AC
 Contact Resistance:30 Milliohms Max.
 Insulation Resistance:1000 Megaohms Min.
 Temperature Range:-55°C~+85°C
 Mating Force:70N Max.
 Withdrawal Force:30N Min.
 Durability:500 Cycles Min.
 Contact:Phosphor Bronze,Gold Flash On Contact Area,Tin Plated On Solder Tails,Over Nickel
 Insulator:PBT+30%G.F.(UL94V-0),Black
 Shell:Brass,Nickel Plated Over All
 RoHS Compliant



4UCON 元化興業股份有限公司
 4UCON TECHNOLOGY INC.

DRAWING No.		APPROVED BY		UNLESS OTHERWISE SPECIFIED TOLERANCES ARE .X ±0.38 .X' ±2" .XX ±0.25 .XX' ±1" .XXX ±0.13 .XXX' ±0.5"
20713		EMILY		
		CHECKED BY		
		HZF		
		DRAWING BY		
		HAO		
SCALE	NONE	REV.	A0	UNIT
				mm

NO.	REV.	REVISIONS	CHK	DATE
△ A0		NEW RELEASE	HZF	09/09/2014