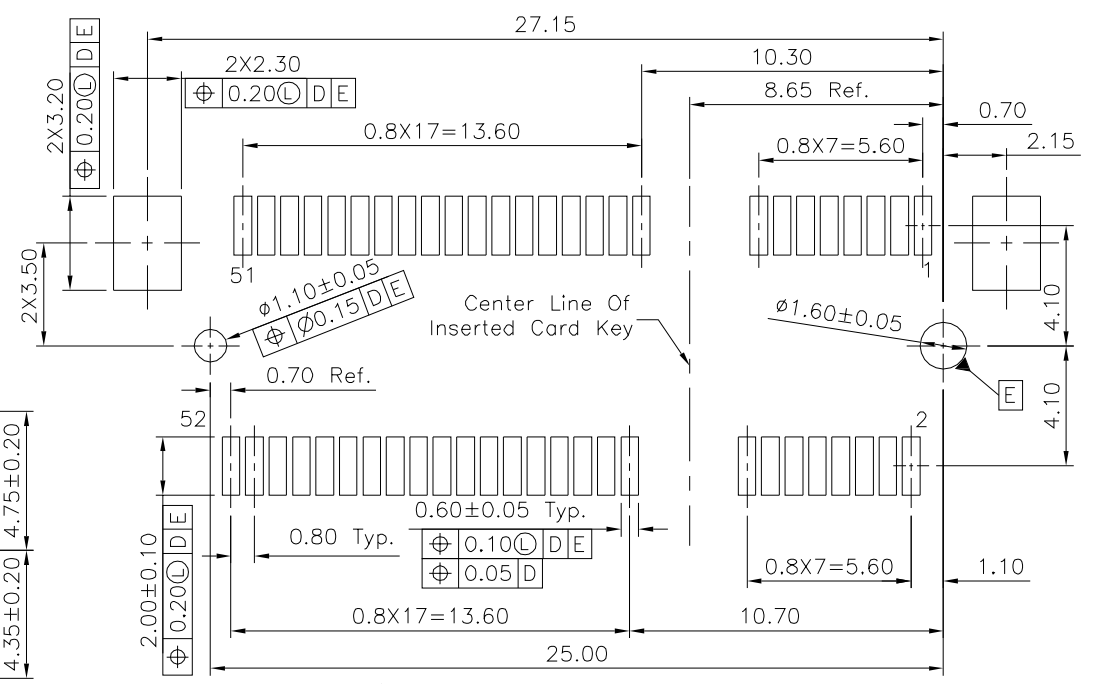
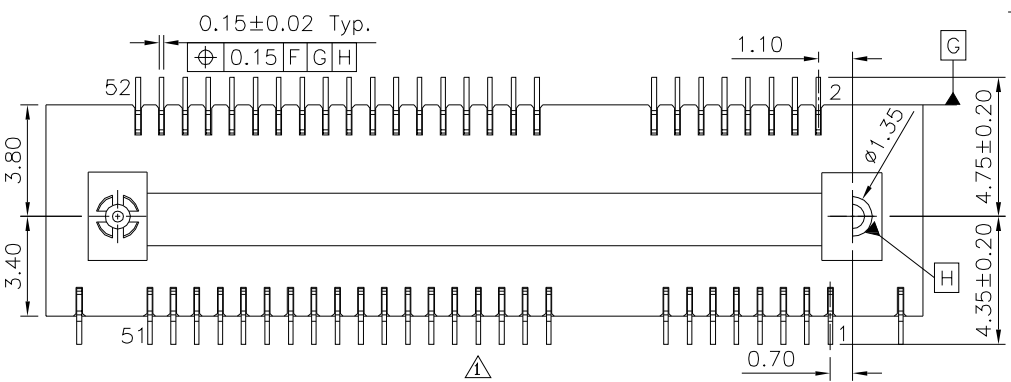
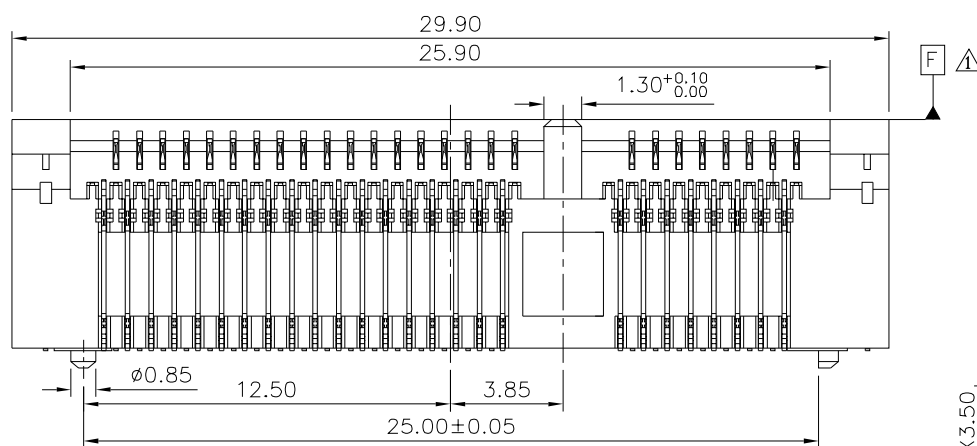
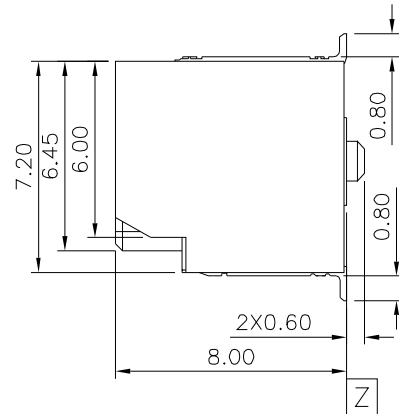
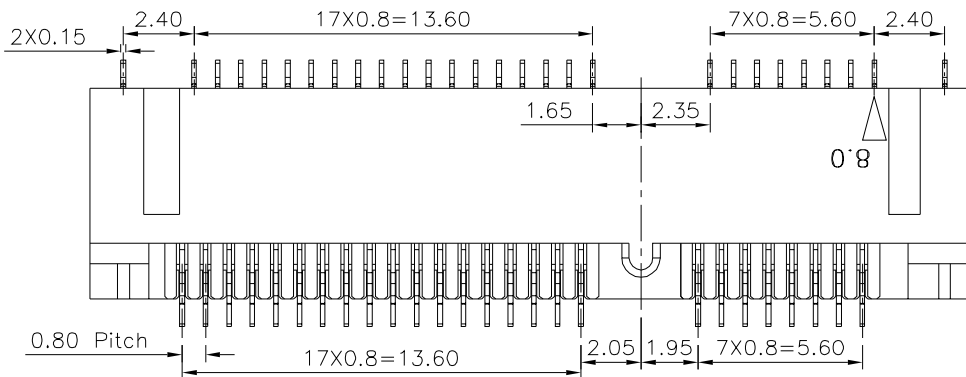


△ SPECIFICATION

Current: 0.5A
 Voltage: 35V AC/Pin
 Operating Temperature: -40°C ~ +80°C
 Storage Temperature: -40°C ~ +85°C
 Withstand Voltage: 300V AC RMS For 1 Minute
 Contact Resistance: 50 Milliohms Max.
 Insulation Resistance: 500 Megaohms Min.
 Insulator: LCP(UL94V-0), Black
 Pin: Phosphor Bronze, Gold Plated Over Nickel
 RoHS Compliant

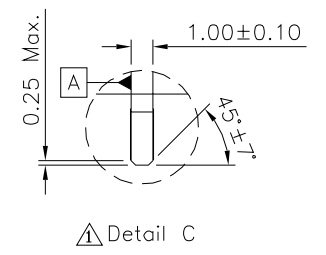
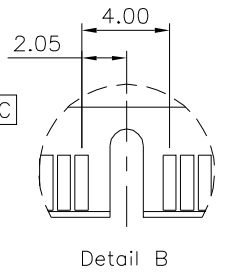
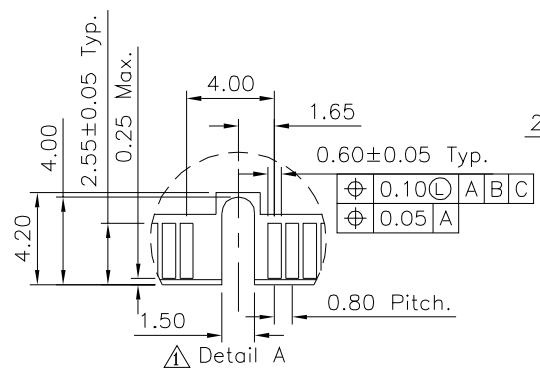
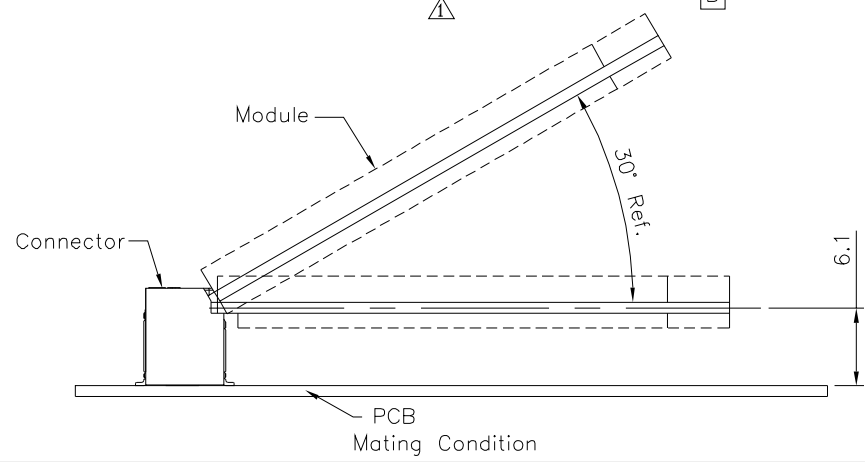
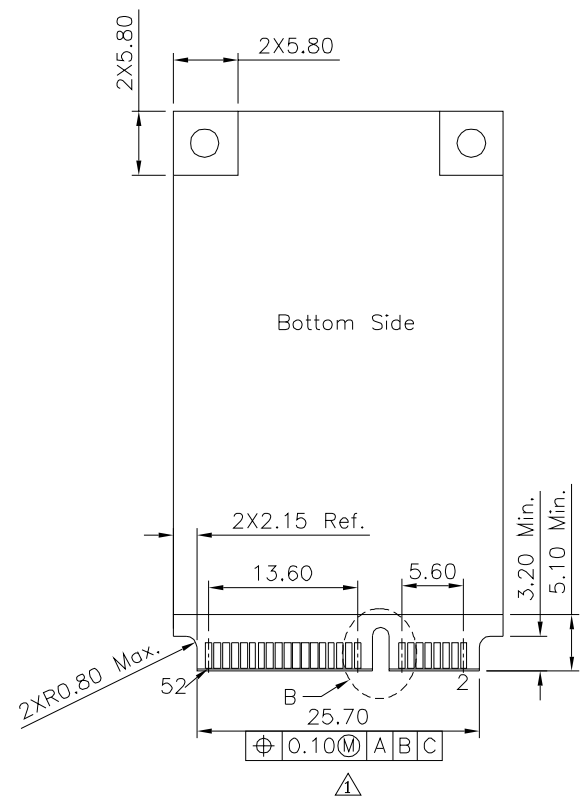
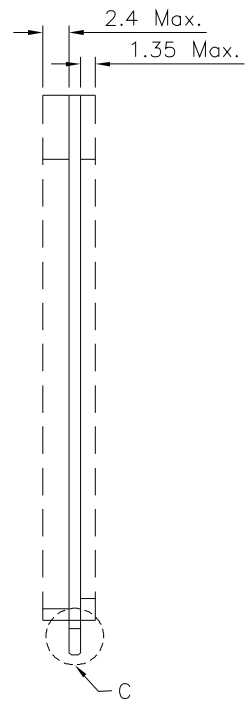
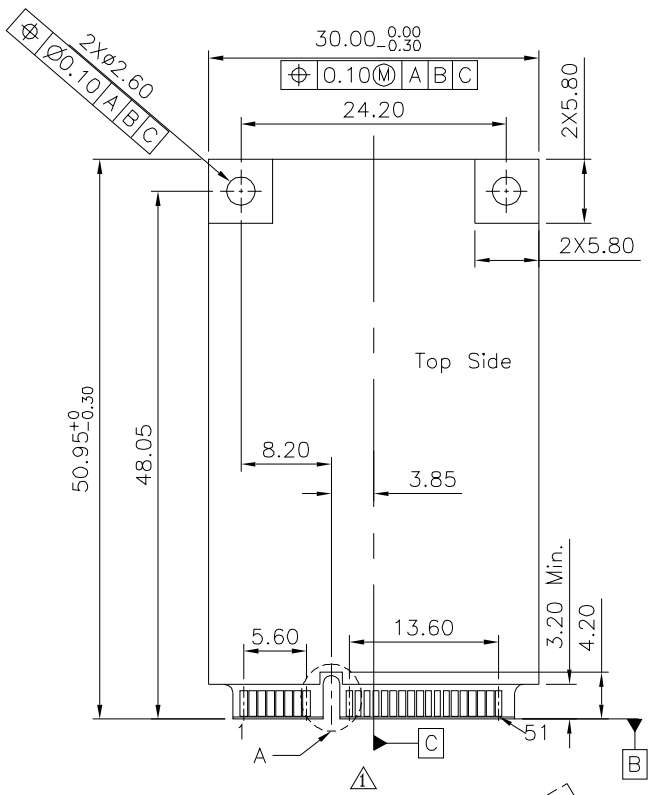


△ Recommended P.C.B. Layout(Top View)

4UCON 元化興業股份有限公司
 4UCON TECHNOLOGY INC.

DRAWING No.		APPROVED BY		UNLESS OTHERWISE SPECIFIED TOLERANCES ARE X. ±0.30 △ X.* ±2.00° .X ±0.20 △ .X* ±1.00° .XX ±0.10 .XX* ±0.50° .XXX ±0.05	
20732		MEI			
		CHECKED BY	HZF		
		DRAWING BY	CYP		
SCALE	NONE	REV.	A1	UNIT	mm

NO.	REV.	REVISIONS	CHK	DATE
△ A1		Modify Data	HZF	07/13/2017
△ A0		NEW RELEASE	HZF	11/06/2013



4UCON 元化興業股份有限公司
4UCON TECHNOLOGY INC.

DRAWING No. 20732

APPROVED BY MEI
CHECKED BY HZF
DRAWING BY CYP
SCALE NONE
REV. A1

UNLESS OTHERWISE SPECIFIED TOLERANCES ARE
X. ±0.30 X.* ±2.00°
.X ±0.20 X.* ±1.00°
.XX ±0.10 .XX* ±0.50°
.XXX ±0.05
UNIT mm

NO.	REV.	REVISIONS	CHK	DATE
A1		Modify Data	HZF	07/13/2017
A0		NEW RELEASE	HZF	11/06/2013