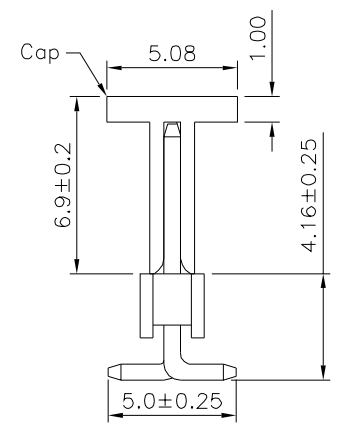
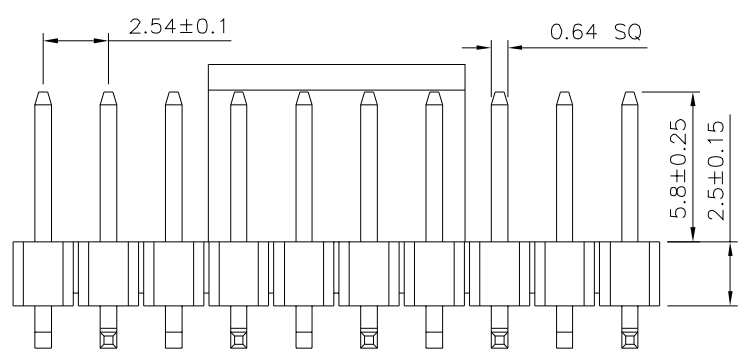
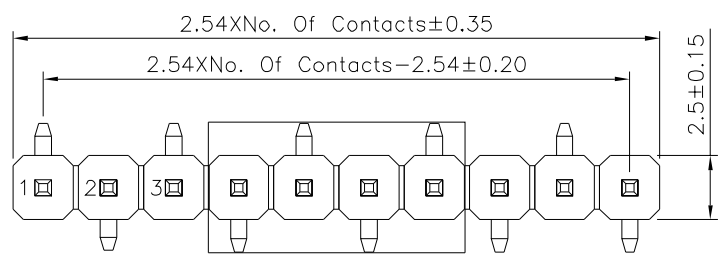


Recommended P.C.B. Layout (Top View)
(PCB Board Tolerance ±0.05)



SPECIFICATION

Current Rating: 3A
 Withstand Voltage: 1000V AC
 Contact Resistance: 20 Milliohms Max.
 Insulation Resistance: 1000 Megohms Min.
 Operation Temperature: -40°C ~ +105°C
 Insulator: PA6T (UL94V-0), Black
 Contact: Brass, Gold Flash Over Nickel
 RoHS Compliant

4UCON 元化興業股份有限公司
 4UCON TECHNOLOGY INC.

DRAWING No.		APPROVED BY	
20953		MEI	
		CHECKED BY	
		HZF	
		DRAWING BY	
		CYP	
SCALE	NONE	REV.	A0

UNLESS OTHERWISE SPECIFIED TOLERANCES ARE							
X	±0.25	X.*	±2°				
.X	±0.20	.X*	±1.5°				
.XX	±0.15	.XX*	±1°				
.XXX	±0.10	.XXX*	±0.5°				
UNIT	mm			△ A0	NEW RELEASE	HZF	01/28/2016
NO.	REV.	REVISIONS		CHK	DATE		