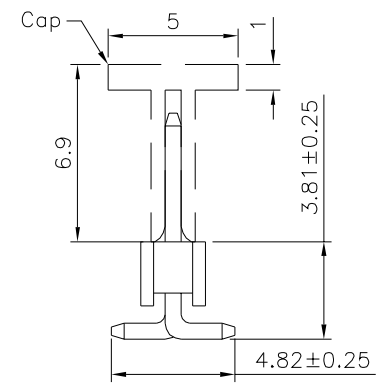
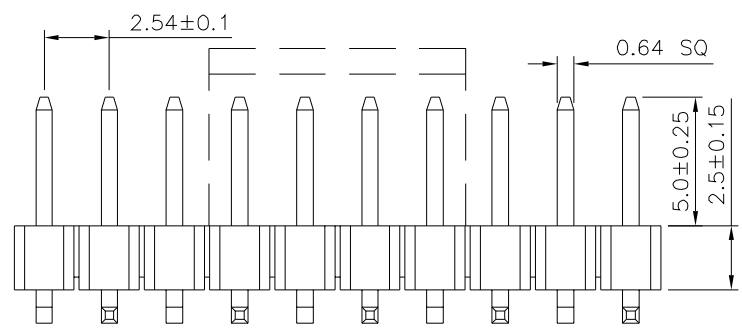
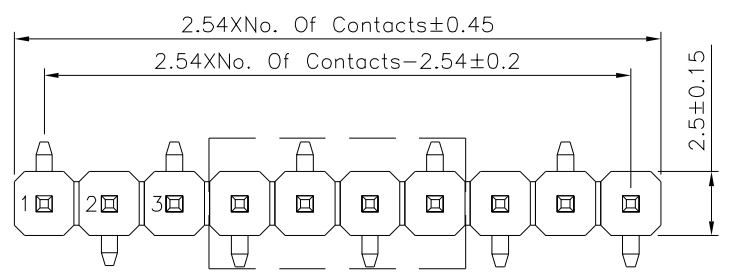


Recommended P.C.B. Layout (Top View)
(PCB Board Tolerance ±0.05)



SPECIFICATION

Current Rating: 3A
 Withstand Voltage: 1000V AC
 Contact Resistance: 20 Milliohms Max.
 Insulation Resistance: 1000 Megaohms Min.
 Operation Temperature: -40°C ~ +105°C
 Insulator: PA6T (UL94V-0), Black
 Contact: Brass, Gold Flash Over Nickel
 RoHS Compliant

4UCON 元化興業股份有限公司
 4UCON TECHNOLOGY INC.

DRAWING No.		APPROVED BY		UNLESS OTHERWISE SPECIFIED					
20973		MEI		TOLERANCES ARE					
		CHECKED BY		X. ±0.25 X.* ±2°					
		HZF		.X ±0.20 .X* ±1.5°					
DRAWING BY		CYP		.XX ±0.15 .XX* ±1°					
SCALE		NONE		.XXX ±0.10 .XXX* ±0.5°					
REV.		A0		UNIT		mm	NO.	REV.	DATE
				4		mm	A0	NEW RELEASE	HZF
				7		mm		REVISIONS	CHK
				7		mm			DATE
				7		mm			08/08/2016
				7		mm			