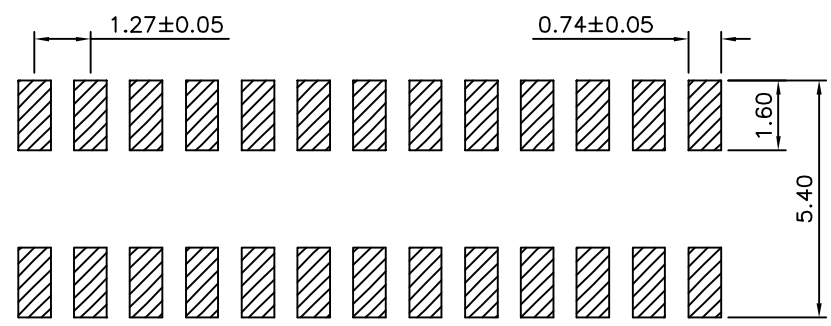
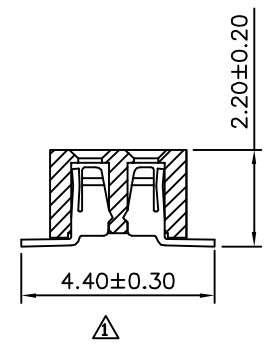
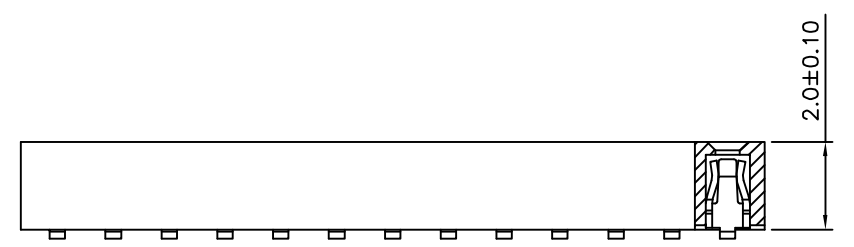
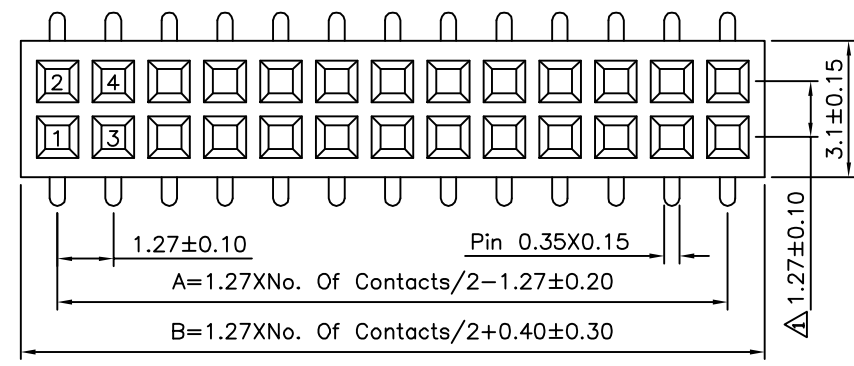


**SPECIFICATION**  
 Current Rating:1 Amp  
 Withstand Voltage:500V AC/Minute  
 Contact Resistance:20 Milliohms Max.  
 Insulation Resistance:1000 Megohms Min.  
 Operation Temperature:-40°C~+105°C  
 Insulator:PA6T+30%G.F.(UL94V-0),Black  
 Contact:Phosphor Bronze,Gold Flash Over Nickel  
 RoHS Compliant



Recommended P.C.B. Layout  
 (PCB Board Tolerance±0.05)⚠



Pin	A	B	Pin	A	B
04	1.27	2.94	54	33.02	34.69
06	2.54	4.21	56	34.29	35.96
08	3.81	5.48	58	35.56	37.23
10	5.08	6.75	60	36.83	38.50
12	6.35	8.02	62	38.10	39.77
14	7.62	9.29	64	39.37	41.04
16	8.89	10.56	66	40.64	42.31
18	10.16	11.83	68	41.91	43.58
20	11.43	13.10	70	43.18	44.85
22	12.70	14.37	72	44.45	46.12
24	13.97	15.64	74	45.72	47.39
26	15.24	16.91	76	46.99	48.66
28	16.51	18.18	78	48.26	49.93
30	17.78	19.45	80	49.53	51.20
32	19.05	20.72	82	50.80	52.47
34	20.32	21.99	84	52.07	53.74
36	21.59	23.26	86	53.34	55.01
38	22.86	24.53	88	54.61	56.28
40	24.13	25.80	90	55.88	57.55
42	25.40	27.07	92	57.15	58.82
44	26.67	28.34	94	58.42	60.09
46	27.94	29.61	96	59.69	61.36
48	29.21	30.88	98	60.96	62.63
50	30.48	32.15	100	62.23	63.90
52	31.75	33.42			

**4UCON** 元化興業股份有限公司  
 4UCON TECHNOLOGY INC.

DRAWING No. 21029

APPROVED BY MEI  
 CHECKED BY HZF  
 DRAWING BY CYP

SCALE NONE REV. A1

UNLESS OTHERWISE SPECIFIED TOLERANCES ARE  
 .X ±0.30  
 .XX ±0.20

UNIT mm

NO.	REV.	REVISIONS	CHK	DATE
⚠	A1	Modify Data	HZF	04/26/2016
⚠	A0	NEW RELEASE	HZF	04/28/2010