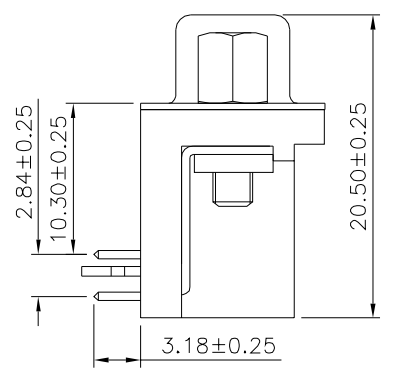
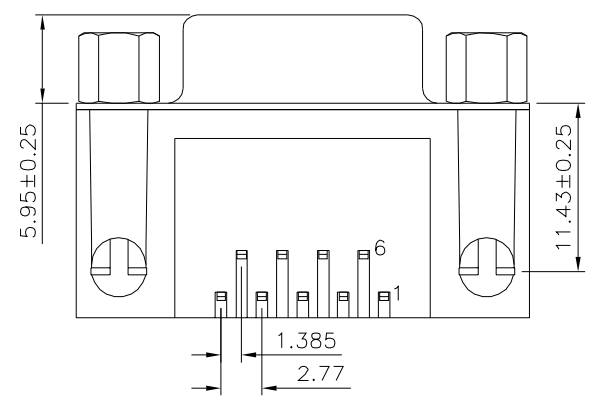
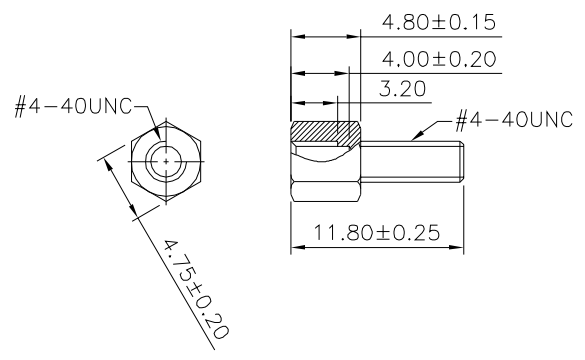
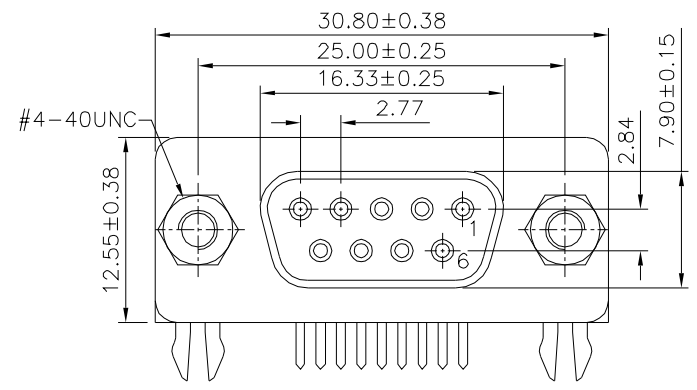


Recommended P.C.B. Layout

**SPECIFICATION**  
 Current Rating: 1 Amps  
 Withstanding Voltage: 500V(One Minute)  
 Contact Resistance: 30 Milliohms Max.  
 Insulation Resistance: 1000 Megaohms Min.  
 At 500V DC  
 Operating Temperature: -40°C~+85°C  
 Shell: SPCC, Nickel Plated  
 Insulator: PBT+30%G.F.(UL94V-0)  
 Contact: C2680, Gold Plated Over Nickel  
 Boardlock: SPCC, Tin Plated  
 Rivet: Copper Alloy, Nickel Plated  
 Screw: 12L14, Nickel Plated  
 RoHS Compliant



**4UCON** 元化興業股份有限公司  
 4UCON TECHNOLOGY INC.

DRAWING No.		APPROVED BY		UNLESS OTHERWISE SPECIFIED TOLERANCES ARE .X ±0.25 .X* ±3* .XX ±0.15 .XX* ±1* .XXX ±0.05 .XXX* ±0.5*						
21128		MEI								
		CHECKED BY								
		HZF								
		DRAWING BY								
		CYP								
SCALE	NONE	REV.	A0	UNIT	mm	NO. REV.	A0	NEW RELEASE	HZF	03/30/2017
						REVISIONS	CHK	DATE		