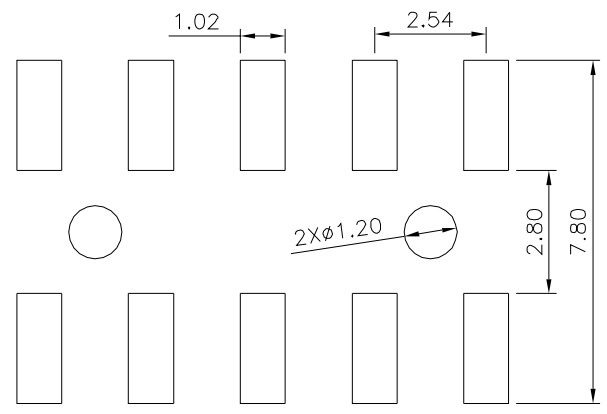
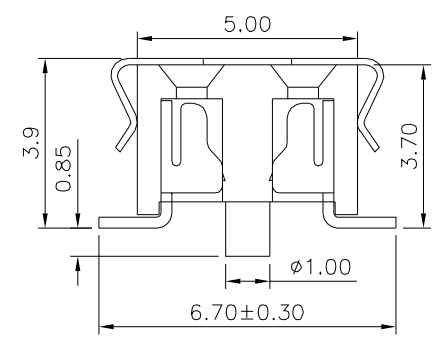
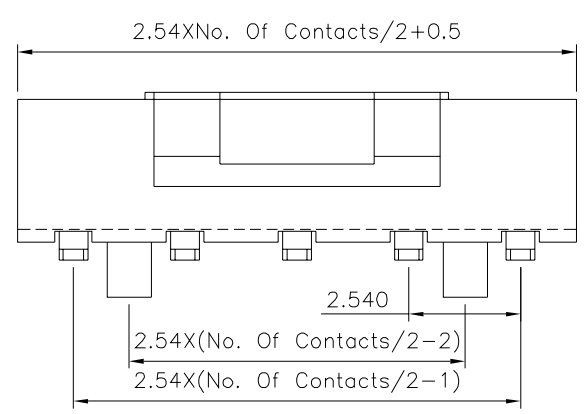
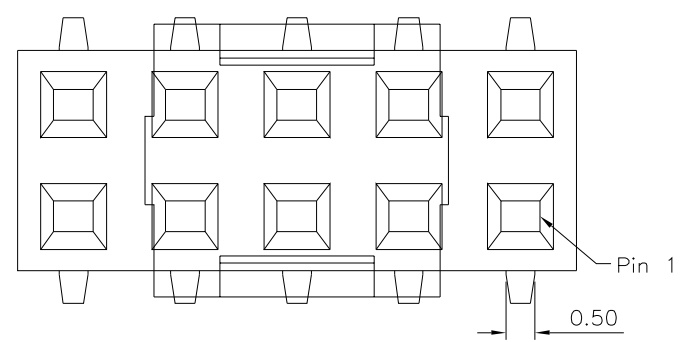


**SPECIFICATION**

Current Rating:3 Amp  
 Withstand Voltage:600V AC/DC  
 Contact Resistance:20 Milliohms Max.  
 Insulation Resistance:1000 Megaohms Min.  
 Operation Temperature:-40°C~+105°C  
 Contact:Phosphor Bronze,Gold Flash Over Nickel  
 Insulator:PA6T(UL94V-0),Black  
 RoHS Compliant



Recommended P.C.B. Layout



**4UCON** 元化興業股份有限公司  
 4UCON TECHNOLOGY INC.

DRAWING No.  
 21130

APPROVED BY MEI  
 CHECKED BY HZF  
 DRAWING BY CYP

UNLESS OTHERWISE SPECIFIED TOLERANCES ARE  
 X ±0.50  
 .X ±0.35  
 .XX ±0.25  
 .XXX ±0.05

SCALE NONE REV. A0 UNIT mm

NO.	REV.	REVISIONS	CHK	DATE
△ A0		NEW RELEASE	HZF	05/24/2017