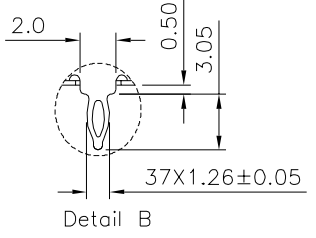
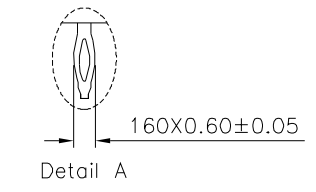
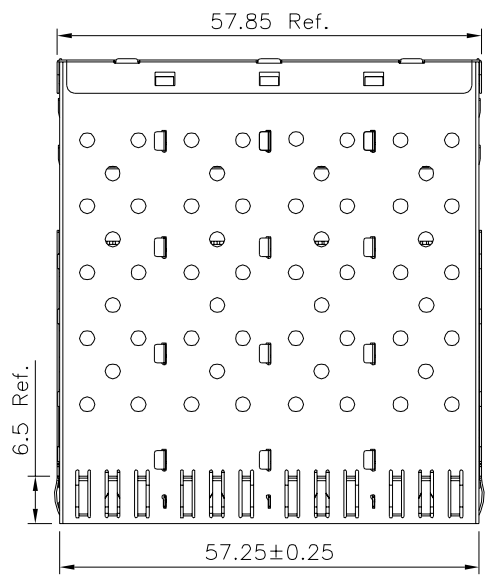
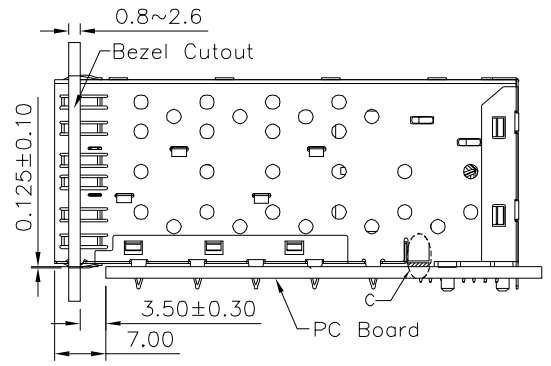
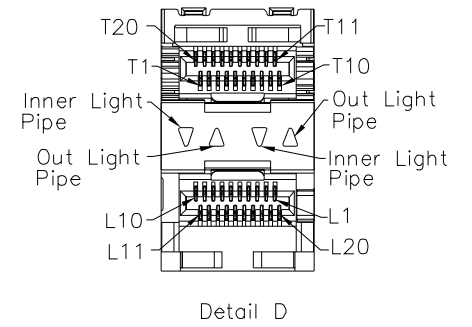
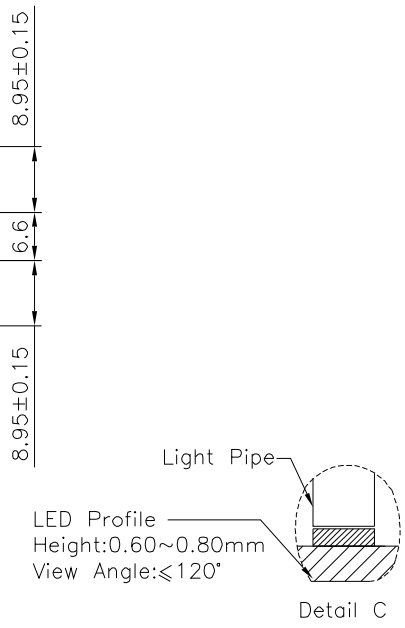
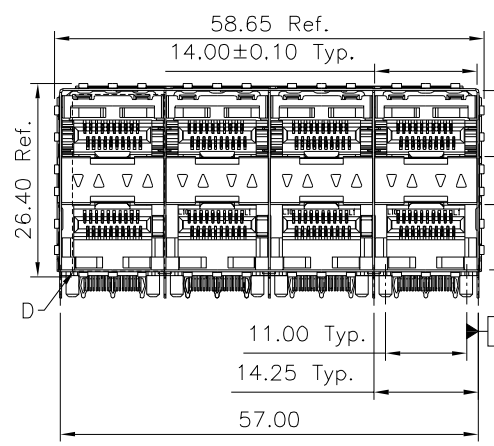
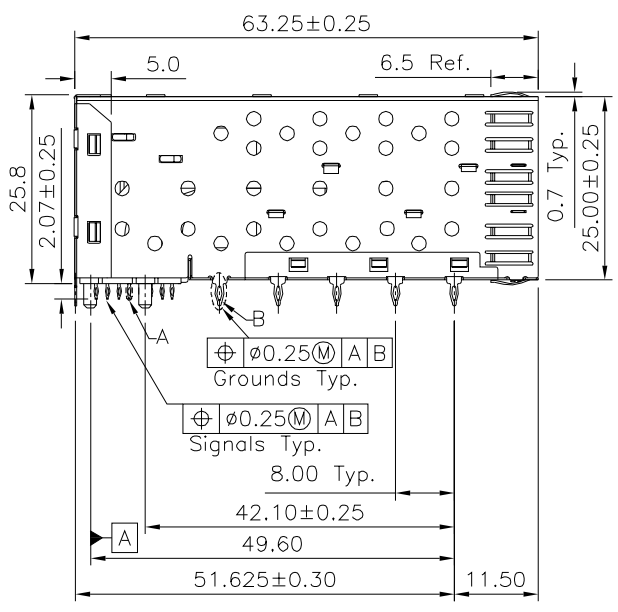


Bezel Cut-Out Center Spacing Detail
Bezel Thickness: 0.8~2.6



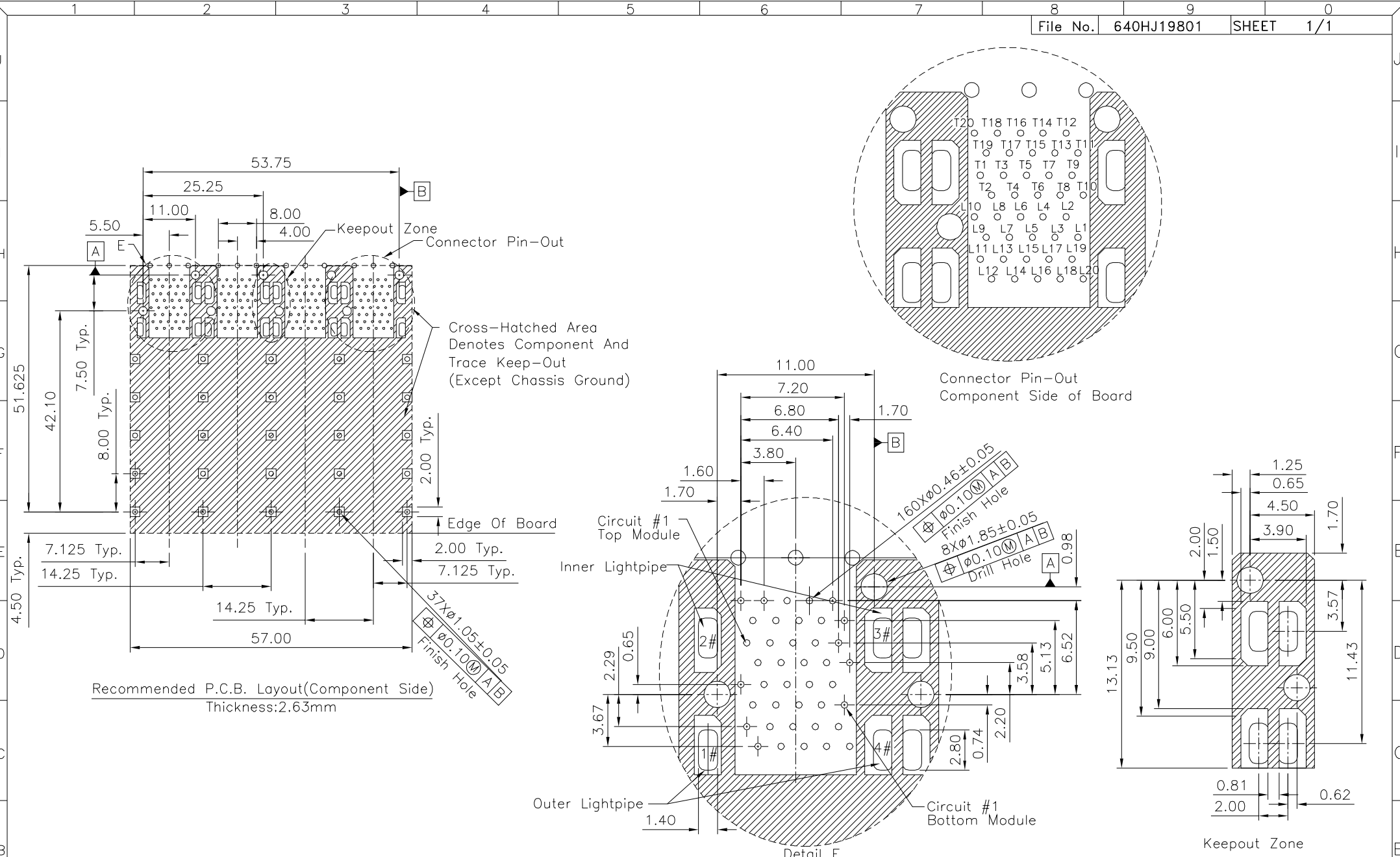
SPECIFICATION

Withstanding Voltage: 300V AC/Max.
 Insulation Resistance: 1000 Megaohms Min.
 Voltage Rating: 30V DC/AC (RMS) Max.
 Current Rating: 0.5A Max.
 Operation Temperature: -40°C ~ +85°C
 Storage Temperature: -55°C ~ +105°C
 Durability: 100 Cycles Min.
 Insertion And Extraction Force: 40N Max. & 11.5N Max.
 Low Level Contact Resistance (LLCR): 10 Milliohms Max.
 For Shield And Signal Contacts
 Contact: Phosphor Bronze
 Selective Gold Plated 30u" On Contact Area, Tin
 Plated On Solder Tails, Over Nickel
 Connector Housing: LCP (UL94V-0), Black
 Moulded Insert: High Temp. Plastic (UL94V-0), Black
 Cage: Cupronickel, Unplated
 Light Pipes: PC (UL94V-0), Clear
 Light Pipe Housing: PBT (UL94V-0), Black
 RoHS Compliant



4U CON 元化興業股份有限公司
4U CON TECHNOLOGY INC.

DRAWING No.		APPROVED BY		UNLESS OTHERWISE SPECIFIED TOLERANCES ARE .X ± 0.25 .XX ± 0.13 .XXX ± 0.10 ANG. ± 2°				
21143		MEI						
		HZF						
		DRAWING BY						
		CYP						
SCALE	NONE	REV.	A0	UNIT mm	△ A0	NEW RELEASE	HZF	04/19/2017
					NO. REV.	REVISIONS	CHK	DATE



4UCON 元化興業股份有限公司
4UCON TECHNOLOGY INC.

DRAWING No.		APPROVED BY		UNLESS OTHERWISE SPECIFIED TOLERANCES ARE .X ±0.25 .XX ±0.13 .XXX ±0.10 ANG. ±2°					
21143		MEI							
		CHECKED BY							
		HZF							
		DRAWING BY							
		CYP							
SCALE	NONE	REV.	A0	UNIT	mm	△ A0	NEW RELEASE	HZF	04/19/2017
						NO.REV.	REVISIONS	CHK	DATE