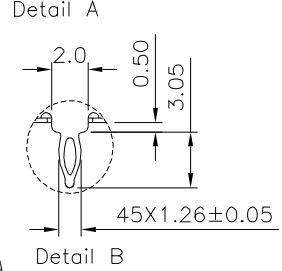
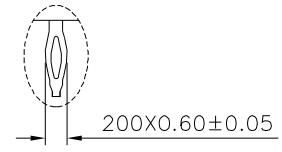
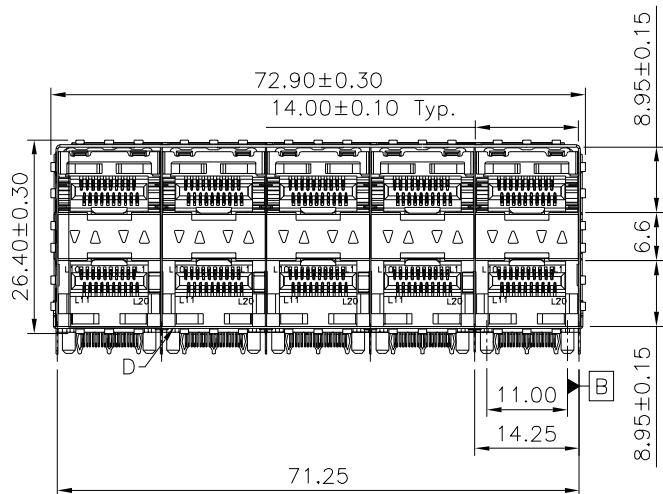
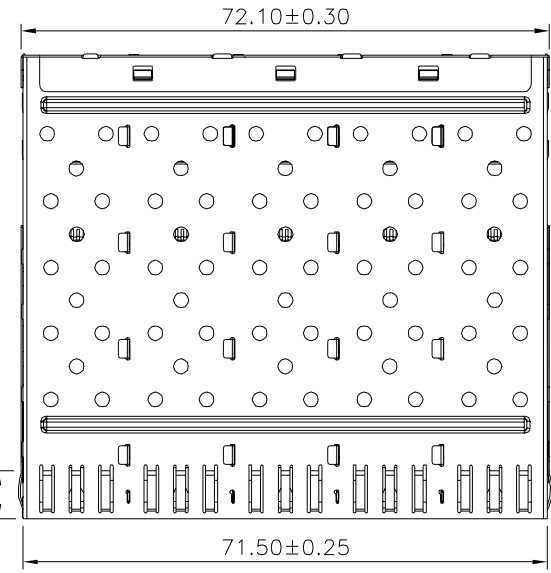
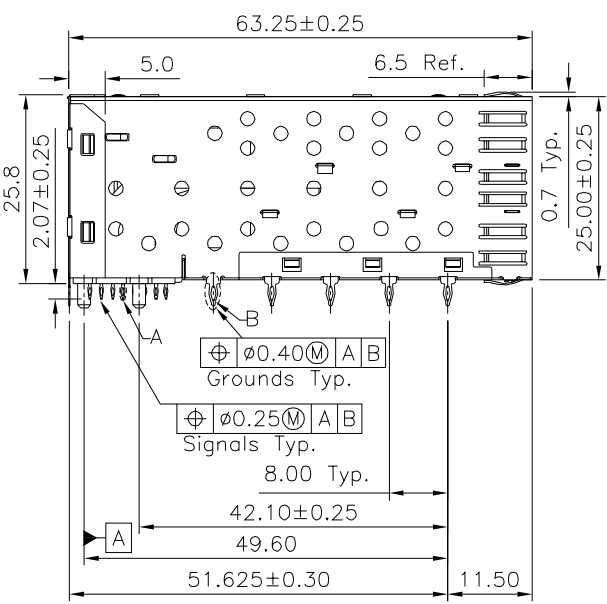
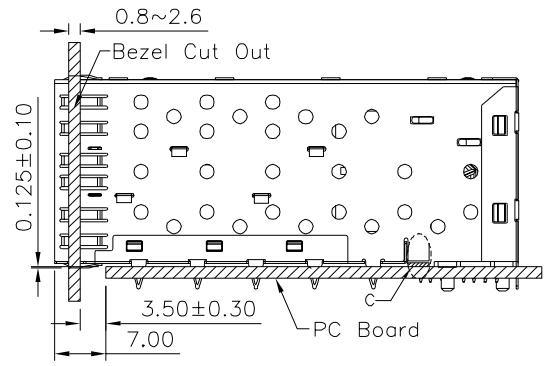
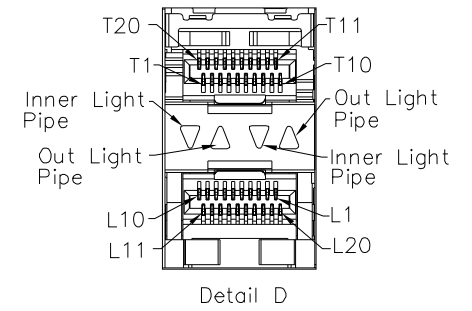
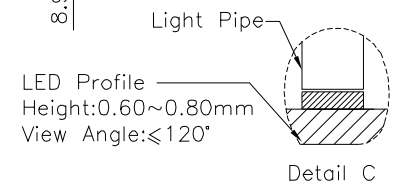


Bezel Cut-Out Center Spacing Detail  
Bezel Thickness:0.8~2.6



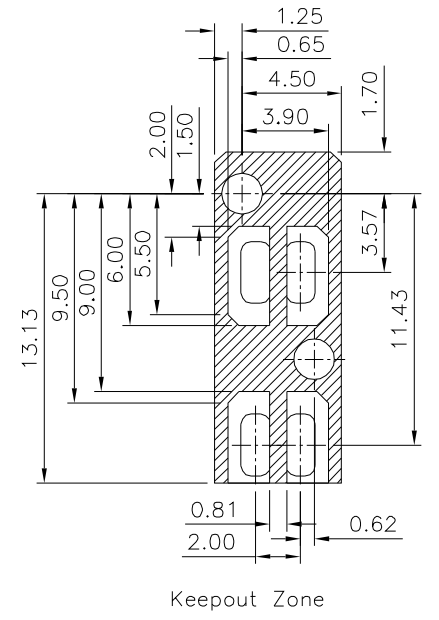
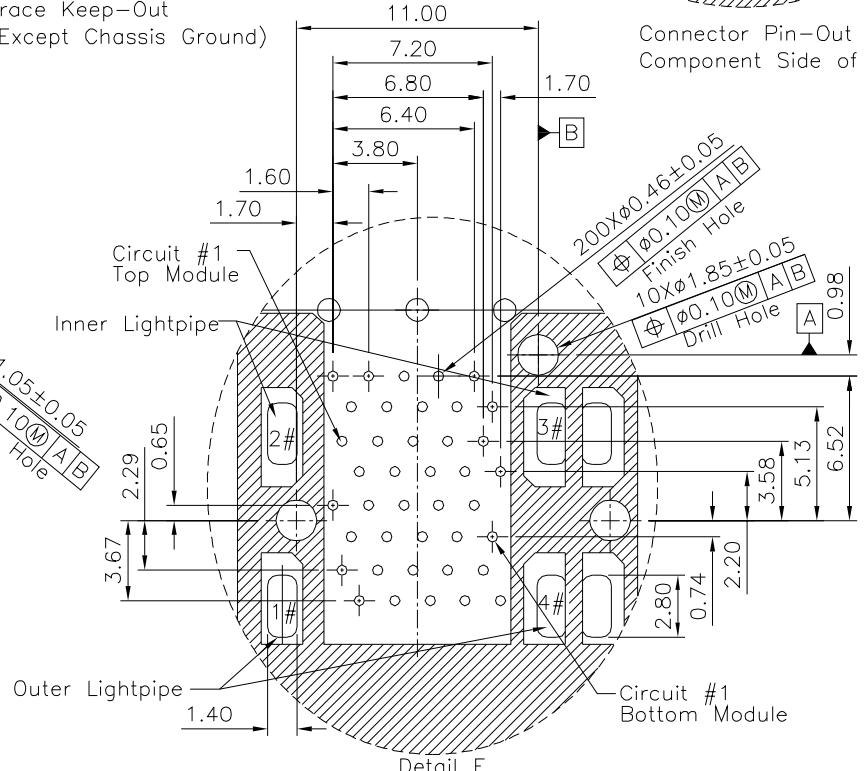
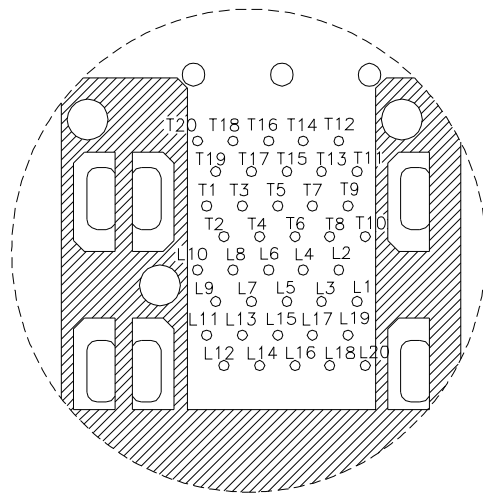
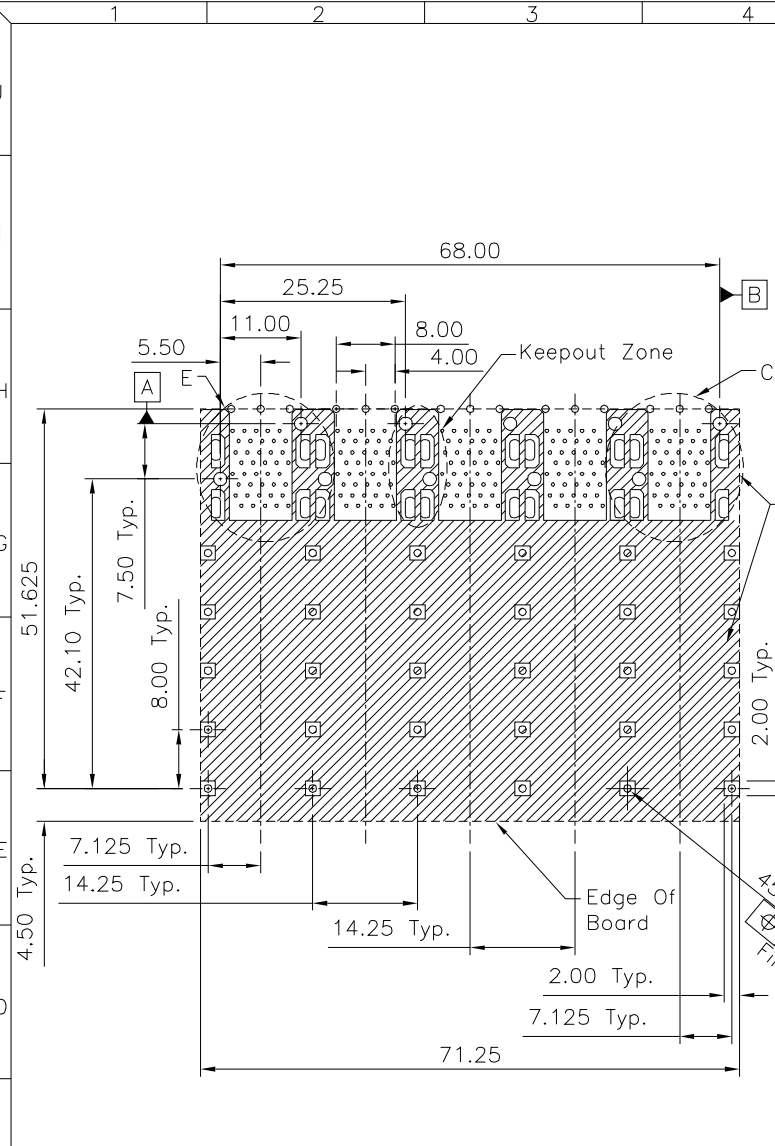
**SPECIFICATION**

Withstanding Voltage:300V AC/Max.  
 Insulation Resistance:1000 Megaohms Min.  
 Voltage Rating:30V DC/AC (RMS) Max.  
 Current Rating:0.5A Max.  
 Operation Temperature:-40°C~+85°C  
 Storage Temperature:-55°C~+105°C  
 Durability:100 Cycles Min.  
 Insertion And Fxtraction Force:40N Max. & 11.5N Max.  
 Low Level Contact Resistance(LLCR):10 Milliohms Max.  
 For Shield And Signal Contacts  
 Contact:Phosphor Bronze  
 Selective Gold Plated 30u" On Contact Area,  
 Tin Plated On Solder Tails,Over Nickel  
 Connector Housing:LCP(UL94V-0),Black  
 Moulded Insert:High Temp. Plastic(UL94V-0),Black  
 Cage:Cupronickel,Unplated  
 Light Pipes:PC(UL94V-0),Clear  
 Light Pipe Housing:PBT(UL94V-0),Black  
 RoHS Compliant



**4UCON** 元化興業股份有限公司  
4UCON TECHNOLOGY INC.

DRAWING No.		APPROVED BY		UNLESS OTHERWISE SPECIFIED TOLERANCES ARE .X ±0.25 .XX ±0.13 .XXX ±0.10 ANG. ±2°				
21161		MEI						
		HZF						
		DRAWING BY		CYP				
SCALE	NONE	REV.	A0	UNIT mm	△ A0	NEW RELEASE	HZF	05/13/2017
					NO.REV.	REVISIONS	CHK	DATE



**4UCON** 元化興業股份有限公司  
4UCON TECHNOLOGY INC.

DRAWING No.		APPROVED BY		UNLESS OTHERWISE SPECIFIED TOLERANCES ARE .X $\pm 0.25$ .XX $\pm 0.13$ .XXX $\pm 0.10$ ANG. $\pm 2^\circ$
21161		MEI		
		HZF		
		DRAWING BY		
		CYP		
SCALE	NONE	REV.	A0	UNIT mm

$\triangle$ A0	NEW RELEASE	HZF	05/13/2017
NO. REV.	REVISIONS	CHK	DATE