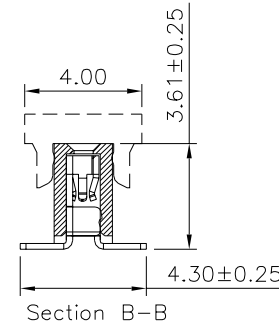
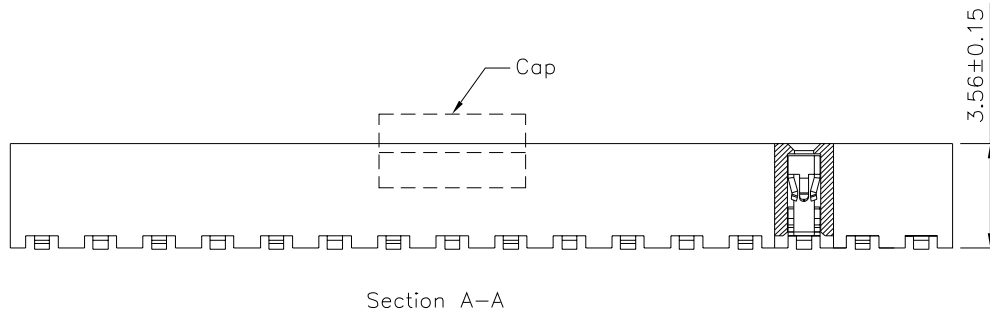
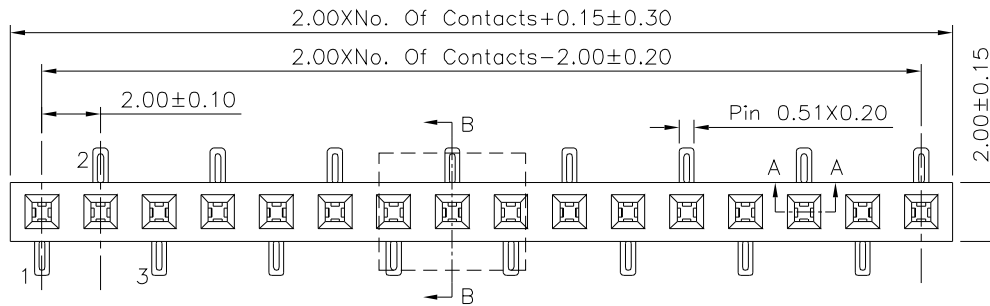
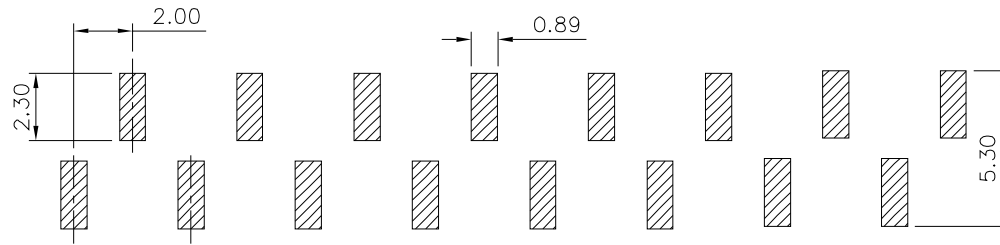


**SPECIFICATION**

Current Rating:2.0 Amp  
 Withstand Voltage:500V AC/DC  
 Contact Resistance:20 Milliohms Max.  
 Insulation Resistance:1000 Megaohms Min.  
 Operation Temperature:-40°C~+105°C  
 Contact:Phosphor Bronze,Gold Plated Over Nickel  
 Insulator:PA9T+30%G.F.(UL94V-0),Black  
 RoHS Compliant



**4UCON** 元化興業股份有限公司  
 4UCON TECHNOLOGY INC.

DRAWING No.

21177

APPROVED BY MEI  
 CHECKED BY HZF  
 DRAWING BY CYP

SCALE NONE

REV. A0

UNLESS OTHERWISE SPECIFIED TOLERANCES ARE  
 .X ±0.40  
 .XX ±0.25  
 .XXX ±0.15  
 ANG. ±3°

UNIT mm

NO.	REV.	REVISIONS	CHK	DATE
△ A0		NEW RELEASE	HZF	11/10/2015