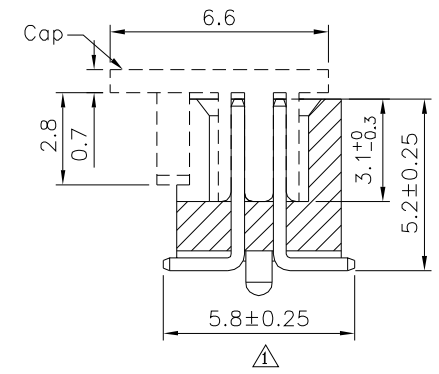
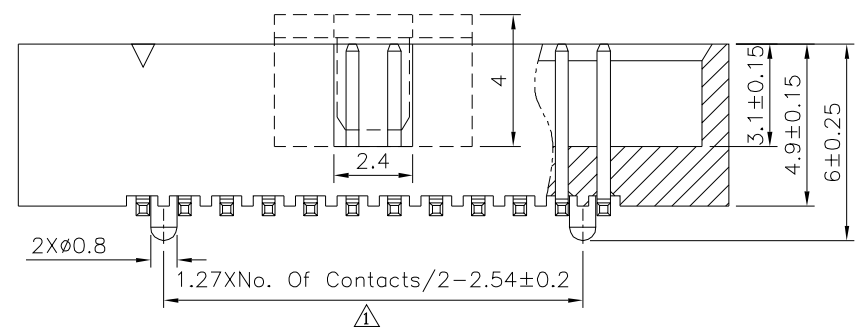
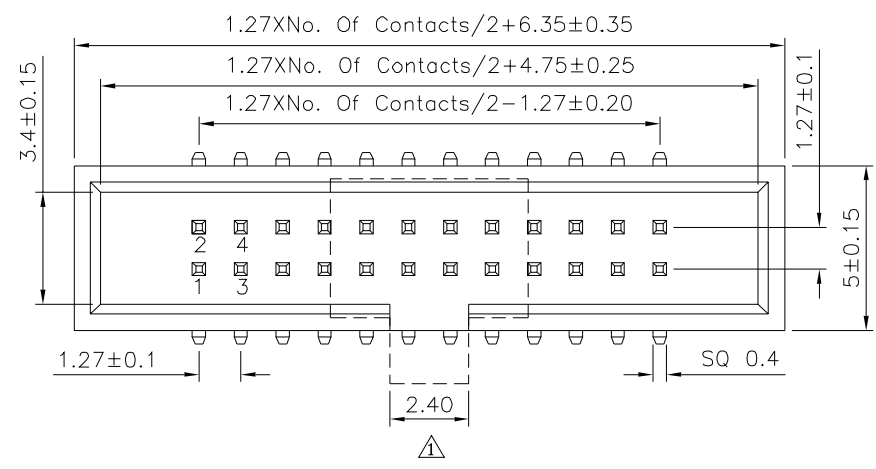


Recommended P.C.B. Layout (Top View)  
(PCB Board Tolerance ±0.05)



**SPECIFICATION**  
 Current Rating: 1.0 Amp  
 Withstanding Voltage: 500V AC/DC  
 Contact Resistance: 20 Milliohms Max.  
 Insulation Resistance: 1000 Megaohms Min.  
 Operation Temperature: -40°C ~ +105°C  
 Contact: Brass, Gold Flash Over Nickel  
 Insulator: PA6T (UL94V-0), Black  
 RoHS Compliant

**4U CON** 元化興業股份有限公司  
 4U CON TECHNOLOGY INC.

DRAWING No.		APPROVED BY		UNLESS OTHERWISE SPECIFIED TOLERANCES ARE
21202		MEI		
		HZF		
SCALE		REV.		UNIT
NONE		A1		
				mm

NO.	REV.	REVISIONS	CHK	DATE
△	A1	Modify Data	HZF	01/27/2018
△	A0	NEW RELEASE	HZF	06/30/2015