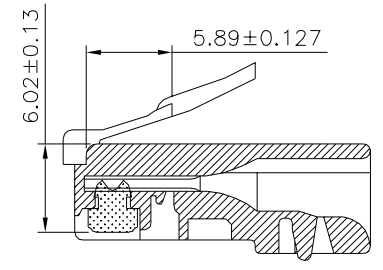


Recommended P.C.B. Layout(Top View)
(PCB Board Tolerance±0.05)



Recommended Plug Dimension

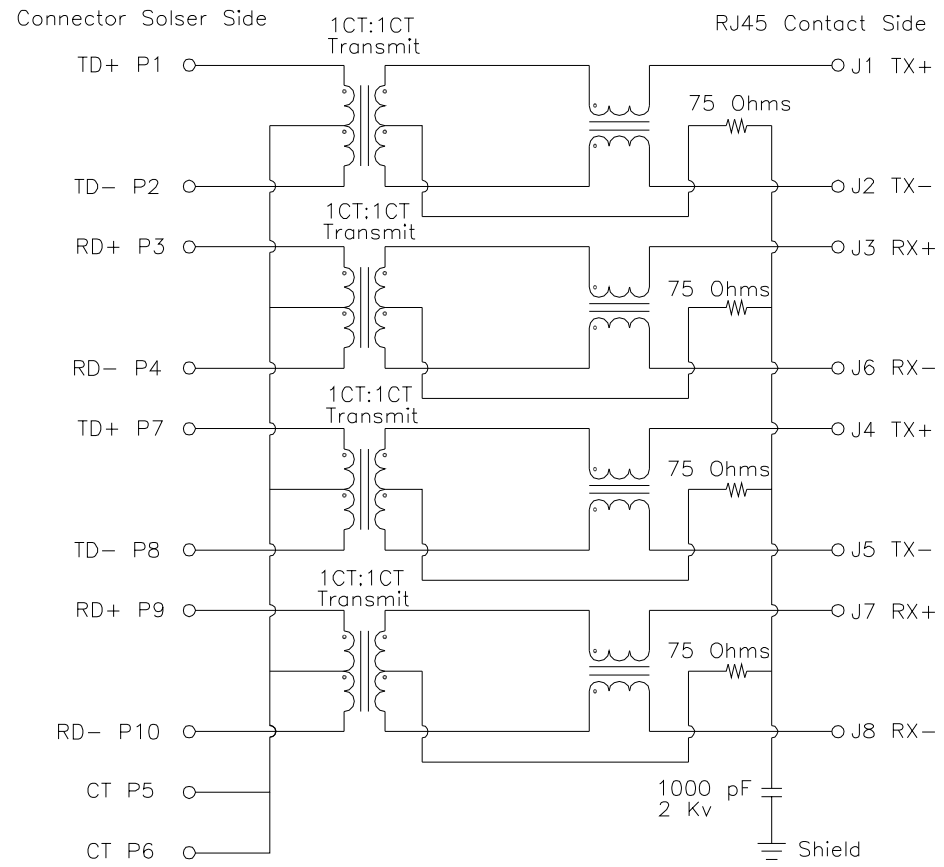
SPECIFICATION
 Housing:PA46(UL94V-0),Black
 Shield:Brass,Nickel Plated
 Contact:Phosphor Bronze
 Gold Plated 6u" On Contact Area,Tin
 Plated On Solder Tails, Over Nickel
 Operation Temperature:-0°C~+70°C
 Storage Temperature:-40°C~+85°C
 Cavity Conforms To FCC Rules And Regulations
 Part 68,Subpart F.
 RoHS Compliant

LED Color					
Gode	Forward	Reverse	Gode	Forward	Reverse
A	Green	Red	J	Green	Orange
C	Green	Yellow(Amber)	K	Black	_____
D	Yellow	Red	L	Lime	_____
E	Yellow	Green	M	Orange	Green
F	Red	Green	N	Amber	_____
G	Green	_____	O	Orange	_____
H	Red	Yellow	R	Red	_____
I	Beige	_____	Y	Yellow	_____

4UCON 元化興業股份有限公司
4UCON TECHNOLOGY INC.

DRAWING No.		APPROVED BY		UNLESS OTHERWISE SPECIFIED TOLERANCES ARE X. ±0.50 X ±0.38 XX ±0.25 XXX ±0.10 ANG. ±3°
21224		MEI		
		CHECKED BY		
		HZF		
		DRAWING BY		
		CYP		
SCALE	NONE	REV.	A0	UNIT mm

△ A0	NEW RELEASE	HZF	07/25/2017
NO.REV.	REVISIONS	CHK	DATE

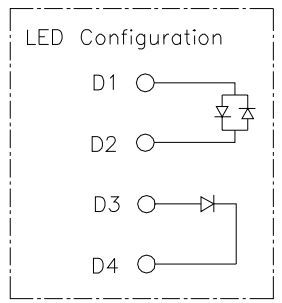


Electrical SPECIFICATION

Test Notes:(25±5°C)

- 1.TR:(100KHz,0.1V);
Pins:(P1~P2):(J1~J2)=1:1±3%
Pins:(P7~P8):(J3~J6)=1:1±3%
- 2.LX:(100KHz,100mV,8mA,DC Bias)
Pins:(P1,P2),(P7,P8)=350uH Min.
- 3.DCR:
Pins:(J1~J2),(J3~J6)=1.2 Ohms Max.
- 4.Hipot:
Pins(P1,P3,P2) To (J1,J2)=1500V AC For 60 Seconds
Pins(P7,P6,P8) To (J3,J6)=1500V AC For 60 Seconds
- 5.Insertion Loss:
-1.0dB Max. At 0.3MHz To 100MHz;
- 6.Return Loss:
-20dB Min. At 1MHz To 30MHz
-15dB Min. At 30MHz To 60MHz
-10dB Min. At 60MHz To 80MHz
- 7.Cross Talk:
-30dB Min. At 1MHz To 100MHz
- 8.Common To Common Mode Rejection:
-30dB Min. At 1MHz To 100MHz

RoHS Compliant



LED Color Option

Left LED Single Color Right LED Single Color	Left LED Single Color Right LED Dual Color	Left LED Dual Color Right LED Single Color	Left LED Dual Color Right LED Dual Color
D1 D2	D1 D2	D1 D2 R F	D1 D2 R F
D3 D4	D3 D4	D3 D4	D3 D4 R F

*F: Forward ; R: Reverse

4U CON 元化興業股份有限公司
4U CON TECHNOLOGY INC.

DRAWING No. 21224
SCALE NONE

APPROVED BY MEI
CHECKED BY HZF
DRAWING BY CYP
REV. A0

UNLESS OTHERWISE SPECIFIED TOLERANCES ARE
X. ±0.50
X ±0.38
XX ±0.25
XXX ±0.10
ANG. ±3°
UNIT mm

NO.	REV.	REVISIONS	CHK	DATE
△ A0		NEW RELEASE	HZF	07/25/2017