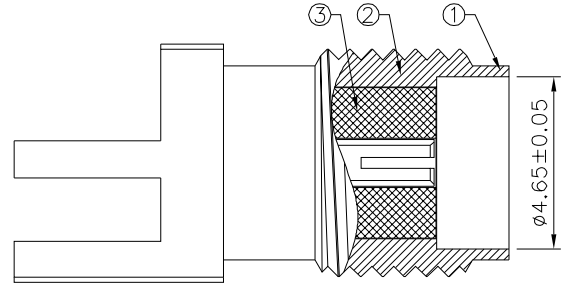
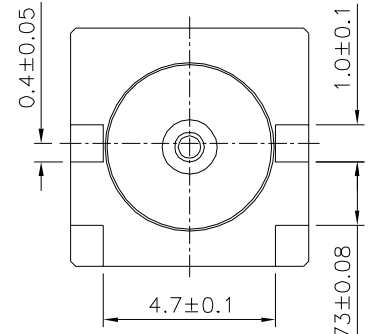


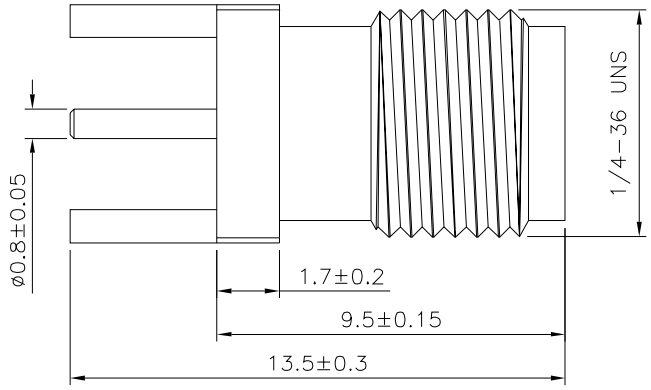
△



△



△



△

RoHS Compliant

③	Brass	Gold Plated Over Nickel
②	Teflon	--
①	Brass	Gold Plated Over Nickel
△	No.	Material Plated

4UCON 元化興業股份有限公司
4UCON TECHNOLOGY INC.

DRAWING No. 21269

SCALE NONE

APPROVED BY MEI
CHECKED BY HZF
DRAWING BY CYP

REV. A1

UNLESS OTHERWISE SPECIFIED TOLERANCES ARE
.X ± 0.38
.XX ± 0.25
ANG.

UNIT mm

△ A1	Modify Data	HZF	04/01/2019
△ A0	NEW RELEASE	HZF	07/03/2010
NO. REV.	REVISIONS	CHK	DATE