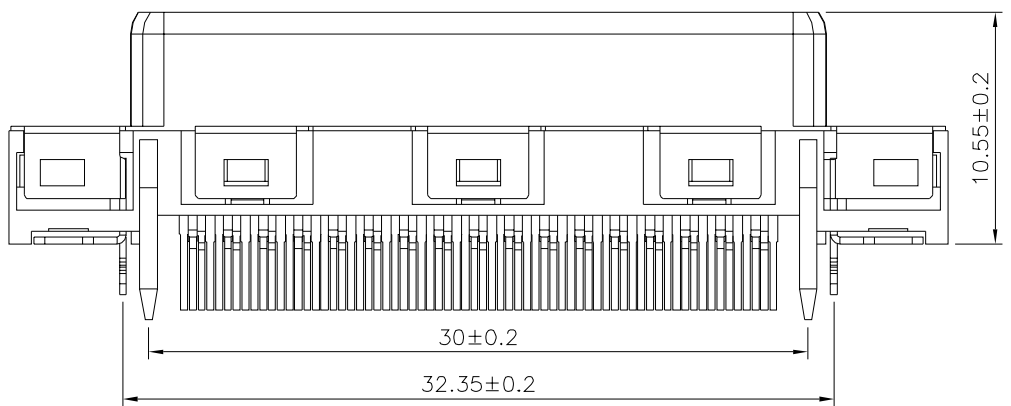
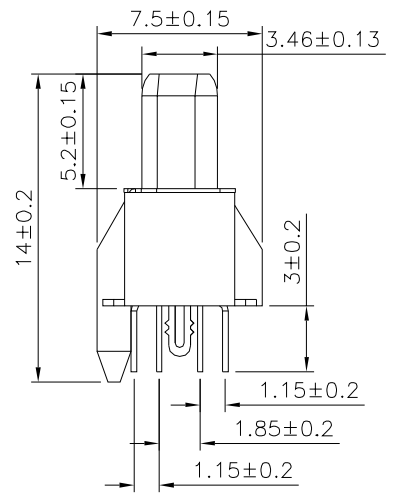
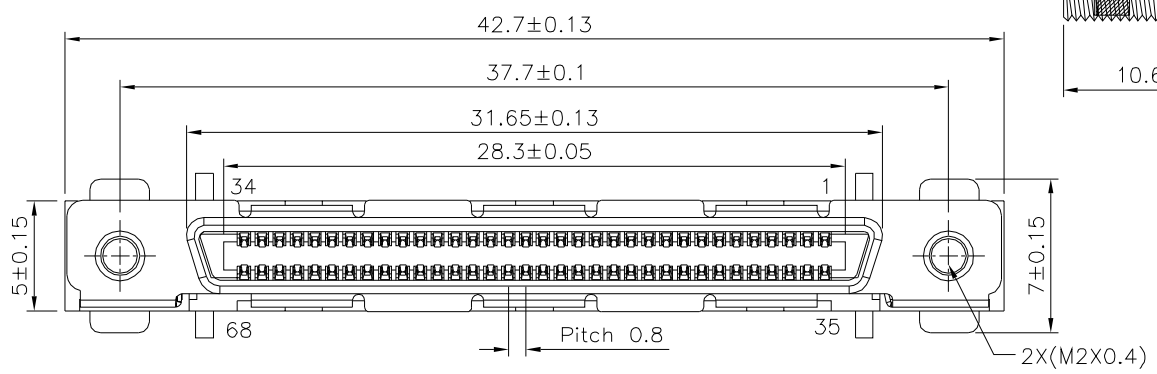
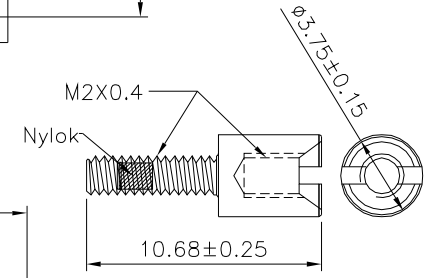


SPECIFICATION
 Current Rating: 0.5 Amp
 Withstand Voltage: 250V AC
 Contact Resistance: 80 Milliohms Max.
 Insulation Resistance: 500 Megaohms Min.
 Operation Temperature: -55°C ~ +85°C
 Insulator: PA9T (UL94V-0)
 Shell: Cold Roller Steel, Nickel Plated Over Copper
 Contact: Phosphor Bronze
 Gold Plated 30u" On Contact Area
 Tin Plated On Solder Tails, Over Nickel
 Screw: Steel, Nickel Plated
 Referral Torque = 2Kgf-cm ~ 2.5Kgf-cm
 RoHS Compliant



4UCON 元化興業股份有限公司
 4UCON TECHNOLOGY INC.

DRAWING No.		APPROVED BY		UNLESS OTHERWISE SPECIFIED TOLERANCES ARE X. ±0.25 .X ±0.2 .XX ±0.15 ANG. ±1°					
21313		MEI							
		CHECKED BY							
		HZF							
		DRAWING BY							
		CYP							
SCALE	NONE	REV.	A0	UNIT	mm	△ A0	NEW RELEASE	HZF	10/20/2017
						NO. REV.	REVISIONS	CHK	DATE