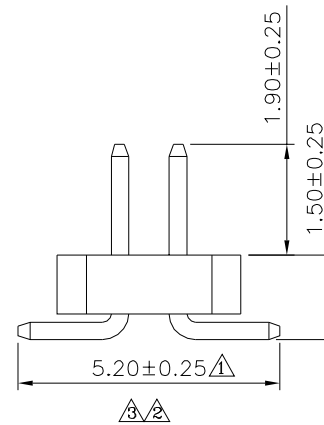
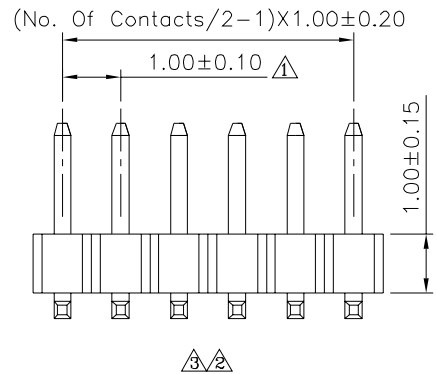
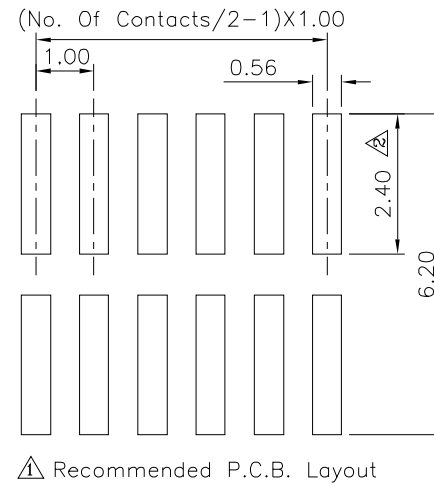
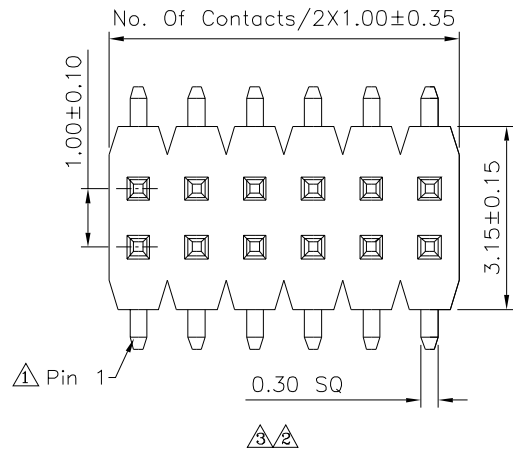


△△ SPECIFICATION

Current:1A
 Operation Temperature:-55°C~+105°C
 Contact Resistance:20 Milliohms Max.
 Insulation Resistance:500 Megaohms Min.
 Dielectric Strength:200V AC Minute
 Housing:PA6T(UL94V-0),Black
 Contact:Brass,Gold Flash Over Nickel
 No. Of Contacts:04~100 Contacts
 RoHS Compliant



4UCON 元化興業股份有限公司
 4UCON TECHNOLOGY INC.

DRAWING No.		APPROVED BY		UNLESS OTHERWISE SPECIFIED TOLERANCES ARE .X ±0.38 .XX ±0.25 ANG. ±5°
21366		MEI		
		CHECKED BY HZF		
SCALE NONE		DRAWING BY CYP		UNIT mm
REV.	A3			NO. REV.
				REVISIONS
				CHK
				DATE

\triangle A3	Modify Data	HZF	06/20/2018
\triangle A2	Modify Data	HZF	04/24/2014
\triangle A1	Modify Data	HZF	04/17/2009
\triangle A0	NEW RELEASE	INGRID	08/02/2007