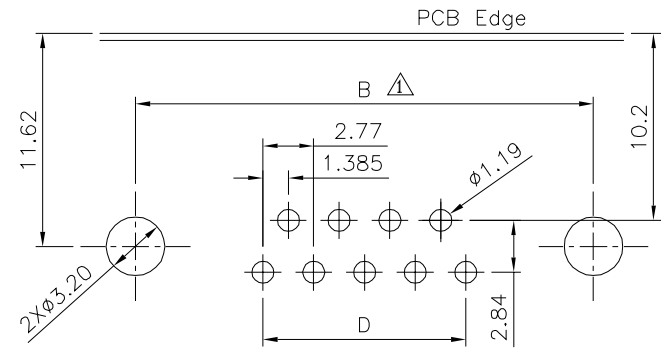
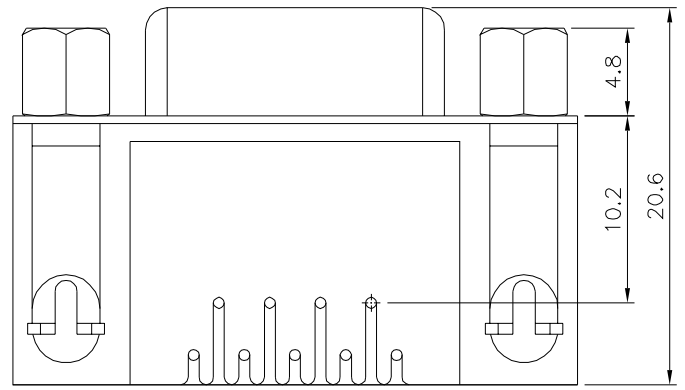


**△△ SPECIFICATION**  
 Current Rating:5 Amp  
 Withstand Voltage:1000V Per 1 Minute  
 Contact Resistance:30 Milliohms Max.  
 10 Seconds  
 Insulation Resistance:1000 Megaohms Min.  
 At 500V DC  
 Operation Temperature:-55°C~+105°C  
 Insulator:PBT+25%G.F.(UL94V-0),Black  
 Contact:Brass,Gold Flash Over Nickel  
 Grounding:SPCC.,Tin Plated  
 Shell:SPCC.,Nickel Plated  
 Screw:Brass,Nickel Plated  
 RoHS Compliant



| Pin | A±0.20 | B±0.25 | C±0.38 | D     |
|-----|--------|--------|--------|-------|
| 9   | 16.33  | 24.99  | 30.80  | 11.08 |
| 15  | 24.66  | 33.32  | 39.10  | 19.39 |
| 25  | 38.38  | 47.04  | 53.00  | 33.24 |
| 37  | 54.84  | 63.50  | 69.32  | 49.86 |

**4UCON** 元化興業股份有限公司  
 4UCON TECHNOLOGY INC.

DRAWING No. △ 21445

APPROVED BY MEI  
 CHECKED BY HZF  
 DRAWING BY CYP

SCALE NONE REV. A2

UNLESS OTHERWISE SPECIFIED TOLERANCES ARE  
 .X ±0.30  
 .XX ±0.25  
 .XXX ±0.15  
 ANG. ±1°

UNIT mm

| NO. | REV. | REVISIONS   | CHK | DATE       |
|-----|------|-------------|-----|------------|
| △2  | A2   | Modify Data | HZF | 05/06/2016 |
| △1  | A1   | Modify Data | HZF | 12/06/2011 |
| △0  | A0   | NEW RELEASE | HZF | 06/09/2009 |