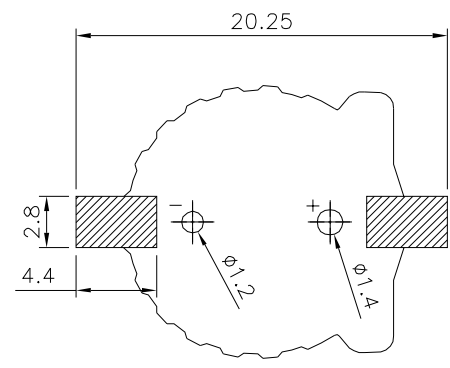
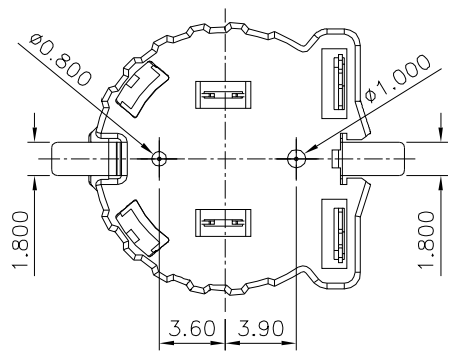
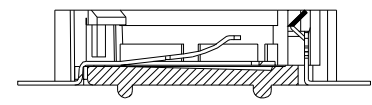


SPECIFICATION
 Withstand Voltage:500V AC One Sec Level
 Contact Resistance:30 Milliohms Max.
 Insulation Resistance:1000 Megaohms Min.
 Operation Temperature:-25°C~+85°C
 RoHS Compliant



Recommended P.C.B. Layout(Top View)

No.	Description	Q'ty	Material	Remark
①	Housing	1	PPS	Brown
②	Terminal +	1	Phosphor Bronze	Gold Flash Over Nickel
③	Terminal -	1	Phosphor Bronze	Gold Flash Over Nickel

4UCON 元化興業股份有限公司
 4UCON TECHNOLOGY INC.

DRAWING No.		APPROVED BY		UNLESS OTHERWISE SPECIFIED TOLERANCES ARE X. ±0.30 X.* ±1° .X ±0.25 .X* ±0.5° .XXX ±0.10
21452		MEI		
		CHECKED BY HZF		
		DRAWING BY CYP		
SCALE	NONE	REV.	A0	UNIT mm

△ A0	NEW RELEASE	HZF	03/14/2018
NO. REV.	REVISIONS	CHK	DATE